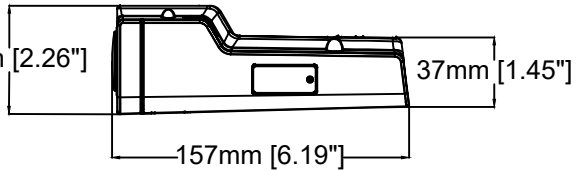
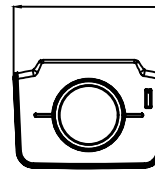
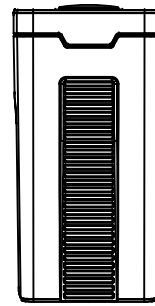


57mm [2.26"]

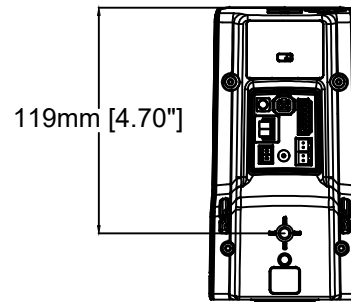
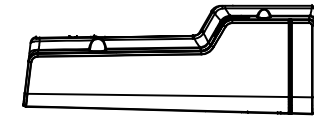
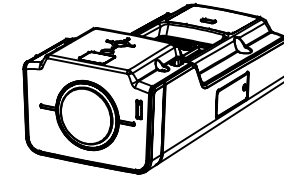


37mm [1.45"]

157mm [6.19"]



80mm [3.14"]



119mm [4.70"]



AXIS Q1656-B Box Camera

Revision	v.01	Revision date	2021-06-16
Paper size	A4	Release date	2021-06-16
Created by	JSK	Scale	1:4