



XNP-6400RW

2MP Network 40x IR PTZ
with built-in wiper

Benefits

- 65% lighter than conventional PTZ's for easier installation and increased speed of the Pan/Tilt functionality
- **PTZ PLUS** supports a RJ45 connector only, so all you have to do is connect a single RJ45 cable for quick and easy installation
- **PTZ PLUS** uses built-in wiper to initially get rid of water or dust and then activates heater on the lens to dry remaining water and remove water perfectly
- AI based object tracking, select the object you want e.g. a car or person
- Exceptional image quality for clearer and more detailed video
- Enhanced Cybersecurity for extra piece of mind
- Allows for monitoring in complete darkness up to 200meters with adaptive IR

| XNP-6400RW | |
|-----------------------------|---|
| VIDEO | |
| Imaging Device | 1/2.8" CMOS |
| Resolution | 1920x1080, 1280x1024, 1280x960, 1280x720, 1024x768, 800x600, 800x448, 720x576, 720x480, 640x480, 640x360, 320x240 |
| Max. Framerate | H.265/H.264: Max. 60fps/50fps(60Hz/50Hz) MJPEG: Max. 30fps/25fps(60Hz/50Hz) |
| Min. Illumination | Colour: 0.05Lux(F1.6, 1/30sec) BW: 0Lux(IR LED On) |
| LENS | |
| Focal Length (Zoom Ratio) | 4.25~170mm(40x) zoom (digital 32x, total 1280x zoom) |
| Max. Aperture Ratio | F1.6(Wide)~F4.95(Tele) |
| Angular Field of View | H: 65.66°(Wide)~1.88°(Tele) / V: 39.40°(Wide)~1.09°(Tele) |
| Min. Object Distance | 3m(9.84ft) |
| Focus Control | Oneshot AF, Focus save |
| Lens Type | DC auto iris |
| PAN / TILT / ROTATE | |
| Pan Range | 360° Endless |
| Pan Speed | Max. 500°/sec, Manual: 0.024°/sec~250°/sec |
| Tilt Range | 110°(-20°~90°) |
| Tilt Speed | Max. 350°/sec, Manual: 0.024°/sec~250°/sec |
| Sequence | Preset(300ea), Swing, Group(6ea), Trace, Tour, Auto Run, Schedule |
| Preset Accuracy | ±0.1°, Pan/Tilt correction |
| OPERATIONAL | |
| Camera Title | Displayed up to 85 characters |
| Direction Indicator | Support |
| Day & Night | Auto(ICR)/Colour/BW/Schedule |
| Backlight Compensation | BLC, HLC, WDR, SSSDR |
| Wide Dynamic Range | Extreme WDR (150dB) |
| Digital Noise Reduction | SSNRV |
| Digital Image Stabilization | Support(built-in gyro sensor) |
| Defog | Support |
| Motion Detection | 8ea, 8point polygonal zones |
| Privacy Masking | 32ea, rectangular Support - Colour: Grey/Green/Red/Blue/Black/White - Mosaic |
| Gain Control | Low / Middle / High |
| White Balance | ATW / AWC / Manual / Indoor / Outdoor |
| Electronic Shutter Speed | Minimum / Maximum / Anti flicker (2~1/12,000sec) |
| Video Rotation | Flip, Mirror |
| Analytics | Directional detection, Fog detection, Face detection, Motion detection, Appear/Disappear, Enter/Exit, Loitering, Tampering, Virtual line, Shock detection * Audio detection, Sound classification(with NW I/O Box) |
| Alarm Triggers | Analytics, Network disconnect * Alarm input(with NW I/O Box) |
| Alarm Events | File upload via FTP and e-mail Notification via e-mail SD/SDHC/SDXC or NAS recording at event triggers PTZ Preset Handover * Alarm output(with NW I/O Box) |
| IR Viewable Length | 200m(656.17ft) |
| Water Removal | Support(with wiper) |
| Auto Tracking | Object auto tracking(Person/Vehicle), Target lock tracking |

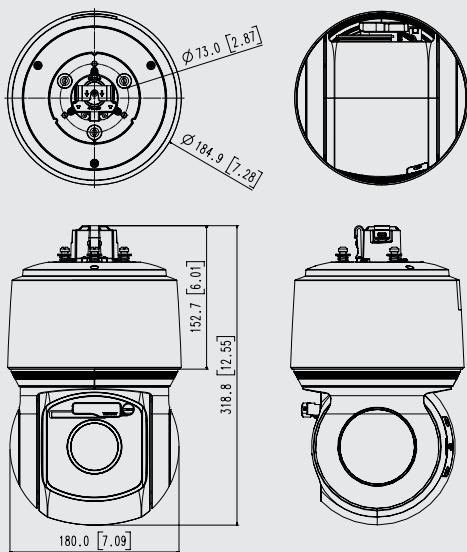
WISENET X | PTZ PLUS

Key Features

- Max. 2MP resolution
- 4.25~170mm(40x) zoom (digital 32x, total 1280x zoom)
- Max. IR viewable length 200m
- Day & night (ICR), extreme WDR, DIS (Built-in gyro sensor)
- Intelligent Analytics, Object auto tracking (Person/Vehicle), Target lock tracking
- H.264, H.265, MJPEG codec, WiseStreamII
- IP66, IK10, NEMA4X
- **PTZ PLUS** Design applied (Compact, Lighter, Simple cabling)

Dimensions

Unit:mm(inch)



XNP-6400RW

| NETWORK | |
|-----------------------------------|---|
| Ethernet | Metal shielded RJ-45(10/100BASE-T) |
| Video Compression | H.265/H.264: Main/Baseline/High, MJPEG |
| Smart Codec | Manual(5ea area), WiseStreamII |
| Bitrate Control | H.264/H.265: CBR or VBR MJPEG: VBR |
| Streaming | Unicast(20 users) / Multicast (128 user) Multiple streaming(Up to 10 profiles) |
| Protocol | IPv4, IPv6, TCP/IP, UDP/IP, RTP(UDP), RTP(TCP), RTCP,RTSP, NTP, HTTP, HTTPS, SSL/TLS, DHCP, FTP, SMTP, ICMP, IGMP, SNMPv1/v2c/v3(MIB-2), ARP, DNS, DDNS, QoS, PIM-SM, UPnP, Bonjour,LLDP, SRTCP |
| Security | HTTPS(SSL) Login Authentication Digest Login Authentication IP Address Filtering User access log 802.1X Authentication(EAP-TLS, EAP-LEAP) Device certificate(Hanwha Techwin Root CA) |
| Application Programming Interface | ONVIF Profile S/G/T SUNAPI(HTTP API) Wisenet open platform |

| GENERAL | |
|------------------|---|
| Webpage Language | English, Korean, Chinese, French, Italian, Spanish, German, Japanese, Russian, Swedish, Portuguese, Czech, Polish, Turkish, Dutch, Hungarian, Greek |
| Web Viewer | Supported OS: Windows 7, 8.1, 10, Mac OS X 10.10, 10.11, 10.12 Recommended Browser: Google Chrome Supported Browser: MS Explore11, MS Edge, Mozilla Firefox(Window 64bit only), Apple Safari(Mac OS X only) |
| Edge Storage | Micro SD/SDHC/SDXC 2slot 1TB |
| Memory | 4GB RAM, 512MB Flash |

| ENVIRONMENTAL & ELECTRICAL | |
|----------------------------------|--|
| Operating Temperature / Humidity | Normal : -40°C~+55°C(-40°F ~ +131°F) / Intermittent : -40°C~+60°C(-40°F ~ +140°F) Maximum Temperature based on NEMA-TS 2(2.2.7) : +74°C(+165°F) Less than 95% RH(Non-condensing) |
| Storage Temperature / Humidity | -50°C~+60°C (-58°F~+140°F) / Less than 95% RH (Non-condensing) |
| Certification | IP66, IK10(Camera body only), NEMA4X |
| Input Voltage | HPoE(IEEE802.3bt, Class6, Type3) |
| Power Consumption | HPoE(Camera only): Max 42W, typical 20W |

| MECHANICAL | |
|-----------------------------|--|
| Colour / Material | White, Black / Aluminum+Polycarbonate |
| RAL Code | White: RAL9003 / Black: RAL9005 |
| Product dimensions / weight | $\phi 184.9 \times 318.8 \text{mm}$ (7.28x12.55") / 5.4Kg(11.90lb) |

| DORI (EN62676-4 STANDARD) | |
|---------------------------|--|
| Detect (25PPM/ 8PPF) | Wide: 140m(460.0ft) / Tele: 4,018m(13,182.6ft) |
| Observe (63PPM/ 19PPF) | Wide: 56m(184.0.0ft) / Tele: 1607.2m(5273.1ft) |
| Recognize (125PPM/ 38PPF) | Wide: 28m(92.0.0ft) / Tele: 803.6m(2636.5ft) |
| Identify (250PPM/ 76PPF) | Wide: 14m(401.8.0ft) / Tele: 46m(1318.3ft) |

* The latest product information / specification can be found at hanwha-security.com

* Design and specifications are subject to change without notice.

* Wisenet is the proprietary brand of Hanwha Techwin.