

XND-8082RV

6MP Network IR Dome Camera



Key Features

- 6MP resolution
- 2.8~8.4mm(3x) motorized varifocal
- 0.05Lux@F1.2 (Color), 0Lux (B/W, IR LED on)
- Max.30fps@6MP (H.265/H.264)
- IR viewable length 40m
- Day & Night (ICR), extreme WDR (120dB)
- DIS with built-in Gyro sensor
- Video Analytics(Defocus, Directional detection, Audio detection, Shock detection, Face/Upper body detection)
- Dual SD slots (Max. 1TB)
- Modular structure, PoE support
- IP52, IK10, UL CAP

Compatible Accessories (Optional)



SBP-167HMMW



SBC-160B



SBP-300WMW



SPB-IND85W



SBP-300WMW1



SBP-300CMW



SBP-300PMW



SBP-300KMW



SBP-300LMW



SBP-300NBW



SBP-300BW

| Video | |
|-----------------------------|--|
| Imaging Device | 1/2.8" CMOS |
| Resolution | 3328x1872, 3072x1728, 2592x1944, 2688x1520, 1920x1080, 1600x1200, 1280x1024, 1280x960, 1280x720, 1024x768, 800x600, 800x448, 720x576, 720x480, 640x480, 640x360, 320x240 |
| Max. Framerate | H.265/H.264: Max. 30fps/25fps(60Hz/50Hz) MJPEG: Max. 15fps/12fps(60Hz/50Hz) |
| Min. Illumination | Color: 0.05Lux(F1.2, 1/30sec) B/W: 0Lux(IR LED On) |
| Video Out | CVBS: 1.0 Vp-p / 75Ω composite, 720x480(N), 720x576(P) for installation USB: Micro USB Type B, 1280x720 for installation |
| Lens | |
| Focal Length (Zoom Ratio) | 2.8~8.4mm(3x) motorized varifocal |
| Max. Aperture Ratio | F1.2(Wide)~F2.8(Tele) |
| Angular Field of View | H: 114° (Wide)~40.2° (Tele) / V: 62.0° (Wide)~22.5° (Tele) / D: 133.0° (Wide)~46.3° (Tele) |
| Min. Object Distance | 0.7m (2.23ft) |
| Focus Control | Simple focus |
| Lens Type | DC Auto Iris, P iris |
| Pan / Tilt / Rotate | |
| Pan / Tilt / Rotate Range | 0° ~360° / -45° ~85° / 0° ~355° |
| Operational | |
| Camera Title | Displayed up to 85 characters |
| Day & Night | Auto(ICR) |
| Backlight Compensation | BLC, HLC, WDR, SDR |
| Wide Dynamic Range | extremeWDR(120dB) |
| Digital Noise Reduction | SSNR V |
| Digital Image Stabilization | Support(built-in gyro sensor) |
| Defog | Support |
| Motion Detection | 8ea, 8point Polygonal zones |
| Privacy Masking | 32ea, polygonal zones - Color : Gray, Green, Red, Blue, Black, White - Mosaic |
| Gain Control | Support |
| White Balance | ATW / Narrow ATW / AWC / Manual / Indoor / Outdoor |
| LDC | Support |
| Electronic Shutter Speed | Minimum / Maximum / Anti flicker (1/5~1/12,000sec) |
| Video Rotation | Flip, Mirror, Hallway view(90° / 270°) |
| Analytics | Defocus detection, Directional detection, Motion detection, Digital auto tracking, Appear/Disappear, Enter/Exit, Loitering, Tampering, Virtual line, Audio detection, Sound classification, Shock detection, Face/upper body detection |
| Business Intelligence | People counting, Queue management, Heatmap |

| | |
|---------------------------------------|---|
| Alarm I/O | 2 configurable I/O ports |
| Alarm Triggers | Analytics, Network disconnect, Alarm input |
| Alarm Events | File upload via FTP and e-mail Notification via e-mail SD/SDHC/SDXC or NAS recording at event triggers Alarm output PTZ Preset Handover Audio playback |
| Audio In | Selectable(mic in/line in/built-in mic) Supply voltage: 2.5VDC(4mA), Input impedance: 2K Ohm |
| Audio Out | Line out, Max.output level: 1Vrms |
| IR Viewable Length | 40m(131.23ft) |
| Network | |
| Ethernet | Metal shielded RJ-45(10/100/1000BASE-T) |
| Video Compression | H.265/H.264: Main/High, MJPEG |
| Audio Compression | G.711 u-law /G.726 Selectable G.726(ADPCM) 8KHz, G.711 8KHz G.726: 16Kbps, 24Kbps, 32Kbps, 40Kbps AAC-LC: 48Kbps at 16KHz |
| Smart Codec | Manual(5ea area), WiseStream II |
| Bitrate Control | H.264/H.265: CBR or VBR MJPEG: VBR |
| Streaming | Unicast(20 users) / Multicast Multiple streaming(Up to 10 profiles) |
| Protocol | IPv4, IPv6, TCP/IP, UDP/IP, RTP(UDP), RTP(TCP), RTCP,RTSP, NTP, HTTP, HTTPS, SSL/TLS, DHCP, FTP, SMTP, ICMP, IGMP, SNMPv1/v2c/v3(MIB-2), ARP, DNS, DDNS, QoS, UPnP, Bonjour, LLDP, SRTP (TCP, UDP Unicast) |
| Security | HTTPS(SSL) Login Authentication Digest Login Authentication IP Address Filtering User access log 802.1X Authentication(EAP-TLS, EAP-LEAP) Device Certificate(Hanwha Techwin Root CA) CyberSecurity assurance program UL CAP (UL 2900-1) |
| Application Programming Interface | ONVIF Profile S/G/T SUNAPI(HTTP API) Wisenet open platform |
| General | |
| Webpage Language | English, Korean, Chinese, French, Italian, Spanish, German, Japanese, Russian, Swedish,, Portuguese, Czech, Polish, Turkish, Dutch, Hungarian, Greek |
| Edge Storage | Micro SD/SDHC/SDXC 2slot 512GB(256Gx2) |
| Memory | 4GB RAM, 512MB Flash |
| Environmental & Electrical | |
| Operating Temperature / Humidity | -25°C ~ +60°C (-13°F ~ +140°F) / Less than 95% RH (non condensing) |
| Storage Temperature / Humidity | -50°C ~ +60°C(-58°F ~ +140°F) / Less than 90% RH |

| | |
|-------------------|---|
| Certification | IP52, IK10 |
| Input Voltage | PoE(IEEE802.3af), 12VDC |
| Power Consumption | PoE : Max 12.95W, typical 10.7W 12VDC : Max 11.5W, typical 9.0W Power redundancy failover |

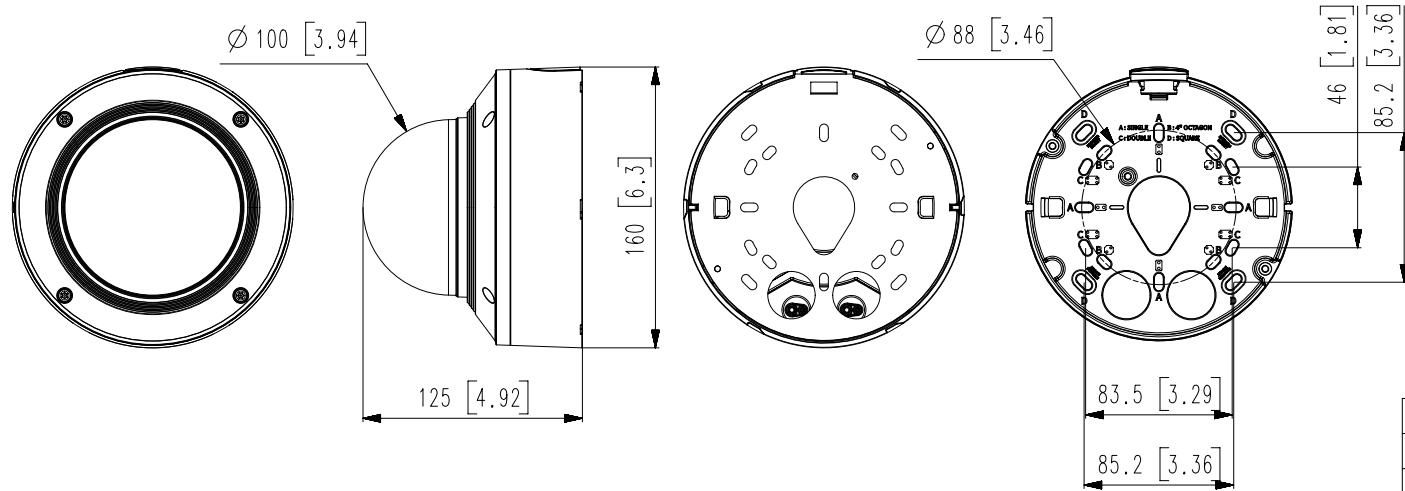
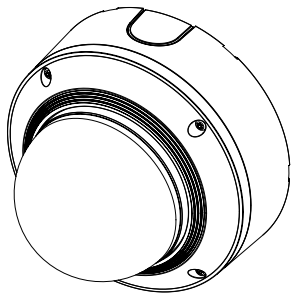
Mechanical

| | |
|-----------------------------|---|
| Color / Material | White / Aluminum, Hard-coated dome bubble |
| RAL Code | RAL9003 |
| Product Dimensions / Weight | Ø160x125mm(6.30x4.92"), 1.6kg(3.53 lb) |

DORI (EN62676-4 standard)

| | |
|---------------------------|--|
| Detect (25PPM/ 8PPF) | Wide: 49.9m(163.71ft) / Tele: 209.9m(688.65ft) |
| Observe (63PPM/ 19PPF) | Wide: 19.9m(65.29ft) / Tele: 83.9m(275.26ft) |
| Recognize (125PPM/ 38PPF) | Wide: 10.0m(32.80ft) / Tele: 42.0m(137.80ft) |
| Identify (250PPM/ 76PPF) | Wide: 5.0m(16.40ft) / Tele: 21.0m(68.90ft) |

- The latest product information / specification can be found at hanwha-security.com
- Design and specifications are subject to change without notice.
- Wisenet is the proprietary brand of Hanwha Techwin, formerly known as Samsung Techwin.



| | | |
|-------------------------|-------------|----------------|
| 16 | | |
| 15 | | |
| 14 | | |
| 13 | | |
| 12 | | |
| 11 | | |
| 10 | XND-9082RV | 19.12.18 |
| 9 | XND-8082RV | 19.12.18 |
| 8 | XND-8081REV | 19.12.18 |
| 7 | XND-6081REV | 19.12.18 |
| 6 | PND-A9081R | 19.09.27 |
| 5 | XND-8081RV | 19.09.27 |
| 4 | XND-6081RV | 19.09.27 |
| 3 | XND-6081V | 19.09.27 |
| 2 | XND-8081VZ | 19.09.27 |
| 1 | XND-6081VZ | 19.09.27 |
| No. | MODEL NAME | DATE |
| Unit:mm[inch] SCALE:1/1 | | Hanwha Techwin |

© Hanwha Techwin Co.,Ltd. All rights reserved.