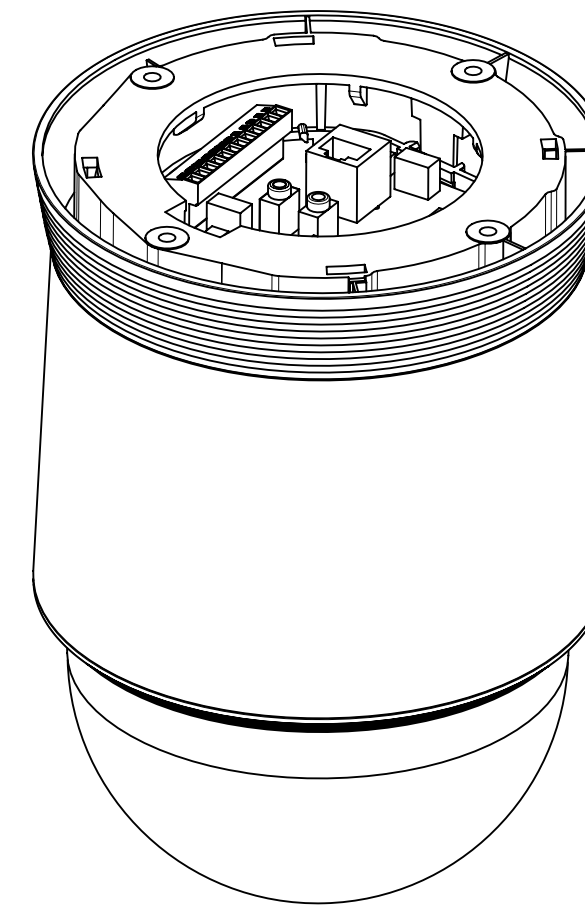
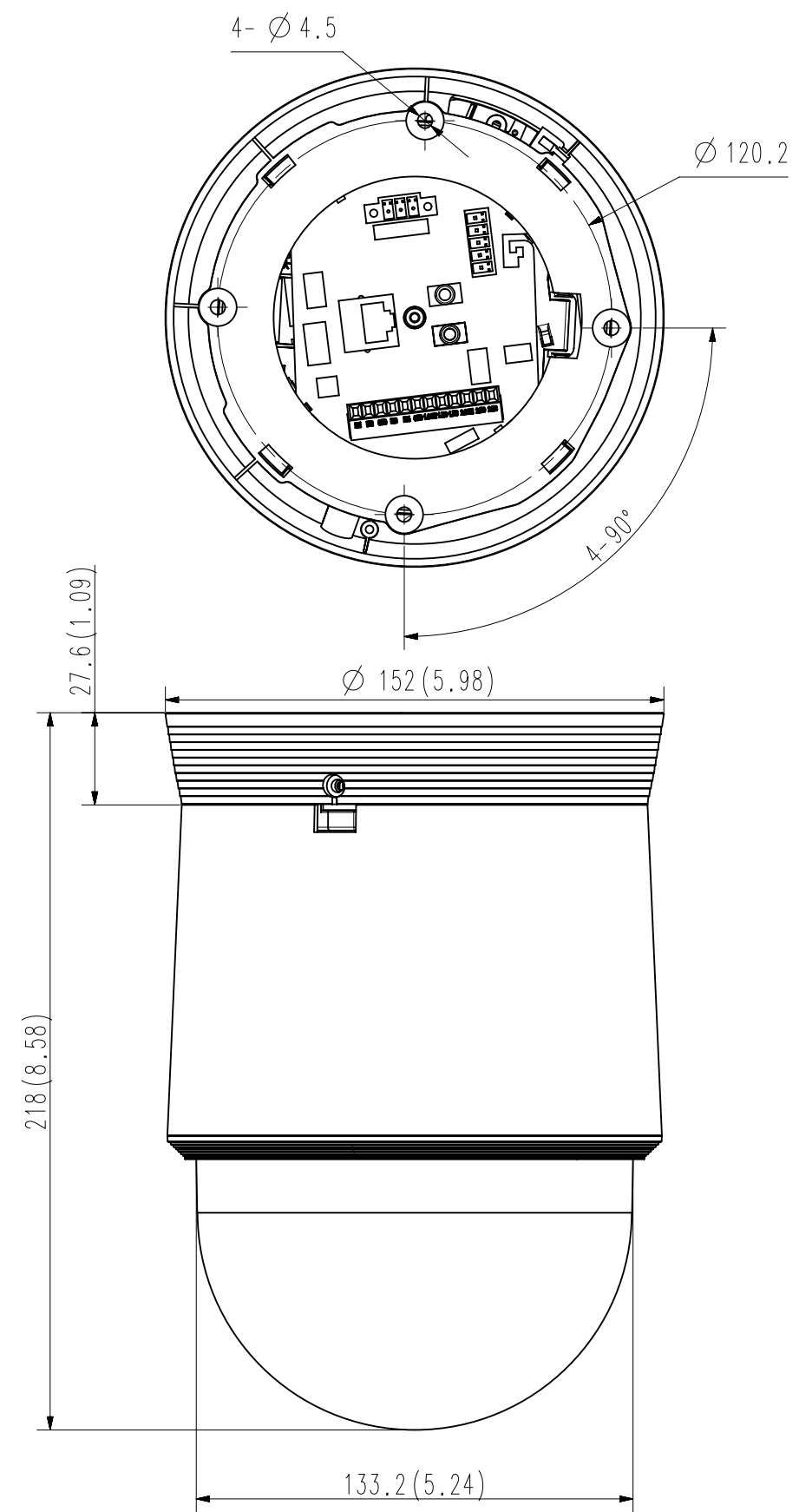
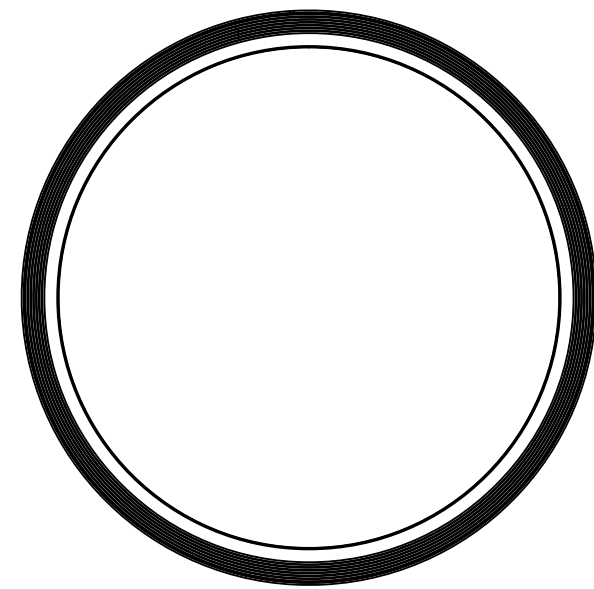


NO	PART NAME	CODE NO.	MATERIAL	Q'TY	REMARK
1	XNP-6320	060042	MATERIAL	1	REMARK



XNP-6320 / QNP-6230
Unit : mm(inch)



A2
CHANGE

UNIT	mm	DESIGN	CHECK	APPROVAL	PART NAME	XNP-6320
SCALE	1/1	Design	Check	Approval	MODEL NAME	MODEL NAME
		15.08.01	15.08.01	15.08.01	CODE NO.	060042

Hanwha Techwin