



AUTODOME IP 4000i

NDP-4502-Z12 | NDP-4502-Z12C



BOSCH

en

Installation Manual

Table of contents

1	Safety	4
1.1	About this Manual	4
1.2	Legal Information	4
1.3	Safety Precautions	4
1.4	Important Safety Instructions	5
1.5	Safety Addendum	6
1.6	Important Notices	6
1.7	Customer Support and Service	8
2	Unpacking	9
3	Product Description	10
4	Mounting Accessories	11
5	Preparing Wiring	12
6	Preparing the Camera	13
7	Installing a microSD card (optional)	15
8	Installing a Surface Mount and Camera	17
8.1	Tools Required	17
8.2	Installation Requirements	17
8.3	Preparing the Surface Mount for Installation	17
8.4	Installing the Surface Mount Adapter	17
9	Installing an In-ceiling Camera in a Suspended Ceiling	20
9.1	Tools Required	20
9.2	Installation Requirements	20
9.3	Preparing the Suspension Ceiling for Installation	20
9.4	Securing the Camera to the Ceiling	21
10	Installing an In-Ceiling Camera in a Drywall Ceiling	24
10.1	Tools Required	24
10.2	Installation Requirements	24
10.3	Preparing the Ceiling for Installation	24
10.4	Securing the Camera to the Ceiling	25
11	Installing a Camera Directly to an Indoor Wall	28
11.1	Installation Requirements	28
11.2	Preparing the Wall for Installation	28
11.3	Installing the Wall Mount	28
11.4	Attaching the Camera to the Pendant Interface Plate	28
12	Installing a Surveillance Cabinet and Camera	32
12.1	Installing the Wall Mount	32
12.2	Attaching the Camera to the Pendant Interface Plate	32
13	Installing a Pipe Mount and Camera	35
13.1	Tools Required	35
13.2	Installation Requirements	35
13.3	Preparing the Ceiling for Installation	35
13.4	Installing the Pipe Mount	35
13.5	Attaching the Camera to the Pendant Interface Plate	36
14	Connection	39
15	Maintenance	41
16	Decommissioning	42
16.1	Transfer	42
16.2	Disposal	42

1 Safety

1.1 About this Manual

This manual has been compiled with great care and the information it contains has been thoroughly verified. The text was complete and correct at the time of printing. Because of the ongoing development of products, the content of the manual may change without notice. Bosch Security Systems accepts no liability for damage resulting directly or indirectly from faults, incompleteness, or discrepancies between the manual and the product described.

1.2 Legal Information

Copyright

This manual is the intellectual property of Bosch Security Systems, Inc. and is protected by copyright. All rights reserved.

Trademarks

All hardware and software product names used in this document are likely to be registered trademarks and must be treated accordingly.

1.3 Safety Precautions

In this manual, the following symbols and notations are used to draw attention to special situations:



Danger!

High risk: This symbol indicates an imminently hazardous situation such as “Dangerous Voltage” inside the product. If not avoided, this will result in an electrical shock, serious bodily injury, or death.



Warning!

Medium risk: Indicates a potentially hazardous situation. If not avoided, this may result in minor or moderate injury.



Caution!

Low risk: Indicates a potentially hazardous situation. If not avoided, this may result in property damage or risk of damage to the unit.



Notice!

This symbol indicates information or a company policy that relates directly or indirectly to the safety of personnel or protection of property.

1.4 Important Safety Instructions

Read, follow, and retain for future reference all of the following safety instructions. Follow all warnings before operating the device.

1. Clean only with a dry cloth. Do not use liquid cleaners or aerosol cleaners.
2. Do not install device near any heat sources such as radiators, heaters, stoves, or other equipment (including amplifiers) that produce heat.
3. Never spill liquid of any kind on the device.
4. Take precautions to protect the device from power and lightning surges.
5. Adjust only those controls specified in the operating instructions.
6. Operate the device only from the type of power source indicated on the label.
7. Unless qualified, do not attempt to service a damaged device yourself. Refer all servicing to qualified service personnel.
8. Install in accordance with the manufacturer's instructions in accordance with applicable local codes.
9. Use only attachments/accessories specified by the manufacturer.
10. Protect all connection cables from possible damage, particularly at connection points.



Caution!

Installation must be made by qualified personnel and conform to ANSI/NFPA 70 (the National Electrical Code® (NEC)), Canadian Electrical Code, Part I (also called CE Code or CSA C22.1), and all applicable local codes. Bosch Security Systems, Inc. accepts no liability for any damages or losses caused by incorrect or improper installation.

All-pole power switch - Incorporate an all-pole power switch, with a contact separation of at least 3 mm, into the electrical installation of the building. If it is needed to open the housing, use this all-pole switch as the main disconnect device for switching off the voltage to the unit.

Camera signal - Protect the cable with a primary protector if the camera signal is beyond 140 feet, in accordance with *NEC800 (CEC Section 60)*.

Fuse rating - For security protection of the device, the branch circuit protection must be secured with a maximum fuse rating of 16A. This must be in accordance with *NEC800 (CEC Section 60)*.

Outdoor signals - The installation for outdoor signals, especially regarding clearance from power and lightning conductors and transient protection, must be in accordance with *NEC725* and *NEC800 (CEC Rule 16-224 and CEC Section 60)*.

Power disconnect - Units have power supplied whenever the power cord is inserted into the power source, or when High Power-over-Ethernet (High PoE) power is provided over the Ethernet CAT 5E/6 cable. The power cord is the main power disconnect device for switching off the voltage for all units. When High PoE or PoE+ (820.3at) is used to power the unit, the power is provided over the Ethernet cable, which is then the main power disconnect device for switching off the voltage for all units.

Video loss - Video loss is inherent to digital video recording; therefore, Bosch Security Systems cannot be held liable for any damage that results from missing video information. To minimize the risk of losing information, we recommend multiple, redundant recording systems, and a procedure to back up all analog and digital information.



Caution!

Always securely tighten all fittings to ensure a liquid-tight seal. Failure to do so could allow water to enter the housing and damage the units. If a sealant is used, ensure that it is a neutral cure type. Sealants that release acetic acid may harm electronics. Use drip loops on the wiring outside the housing.

Always use Teflon tape and sealant on connector threads of any mount (sold separately by Bosch or user-supplied).

1.5 Safety Addendum



Notice!

Risk of water ingress

Securely seal all fittings and connection points between the device and all mounts to ensure a liquid-tight seal. Failure to do so could allow water to enter the housing and damage the device. Always use Teflon tape and sealant on connector threads of any mount (sold separately by Bosch or user-supplied).

If a sealant is used, ensure that it is a neutral cure type. Sealants that release acetic acid may harm electronics.

Use drip loops on the wiring outside the housing.

1.6 Important Notices

Indoor use only - The product shall only be used indoors. Ethernet network should be connected to a network environment, which must comply with the following conditions:

1.1 The function of the ITE being investigated to IEC 60950-1 is considered not likely to require connection to an Ethernet network with outside plant routing, including a campus environment.

1.2 The ITE is to be connected only to PoE networks without routing to the outside plant.

UL Disclaimer

Underwriter Laboratories Inc. ("UL") has not tested the performance or reliability of the security or signaling aspects of this product. UL has only tested fire, shock and/or casualty hazards as outlined in Standard(s) for Safety for Information Technology Equipment, UL 60950-1 . UL Certification does not cover the performance or reliability of the security or signaling aspects of this product.

UL MAKES NO REPRESENTATIONS, WARRANTIES, OR CERTIFICATIONS WHATSOEVER REGARDING THE PERFORMANCE OR RELIABILITY OF ANY SECURITY OR SIGNALING-RELATED FUNCTIONS OF THIS PRODUCT.



Notice!

This is a **class B** product. In a domestic environment, this product may cause radio interference, in which case the user may be required to take adequate measures.

FCC & ICES Information

(U.S.A. and Canadian Models Only)

This equipment has been tested and found to comply with the limits for a **Class B** digital device, pursuant to Part 15 of the FCC Rules and ICES-003 of Industry Canada. These limits are designed to provide reasonable protection against harmful interference when the equipment is operated in a **residential installation**. This equipment generates, uses, and can radiate radio frequency energy and, if not installed and used in accordance with the instruction manual, may cause harmful interference to radio communications. However, there is no guarantee that interference will not occur in a particular installation. If this equipment does cause harmful interference to radio or television reception, which can be determined by turning the equipment off and on, the user is encouraged to try to correct the interference by one or more of the following measures:

- Reorient or relocate the receiving antenna.
- Increase the separation between the equipment and the receiver.

- Connect the equipment into an outlet on a circuit different from that to which the receiver is connected.
- Consult the dealer or an experienced radio/TV technician for help.

Intentional or unintentional modifications, not expressly approved by the party responsible for compliance, shall not be made. Any such modifications could void the user's authority to operate the equipment. If necessary, the user should consult the dealer or an experienced radio/television technician for corrective action.

The user may find the following booklet, prepared by the Federal Communications Commission, helpful: How to Identify and Resolve Radio-TV Interference Problems. This booklet is available from the U.S. Government Printing Office, Washington, DC 20402, Stock No. 004-000-00345-4.

1.7 Customer Support and Service

If this unit needs service, contact the nearest Bosch Security Systems Service Center for authorization to return and shipping instructions.

Service Centers

USA

Telephone: 800-366-2283 or 585-340-4162

Fax: 800-366-1329

Email: cctv.repair@us.bosch.com

Customer Service

Telephone: 888-289-0096

Fax: 585-223-9180

Email: security.sales@us.bosch.com

Technical Support

Telephone: 800-326-1450

Fax: 585-223-3508 or 717-735-6560

Email: technical.support@us.bosch.com

Repair Center

Telephone: 585-421-4220

Fax: 585-223-9180 or 717-735-6561

Email: security.repair@us.bosch.com

Canada

Telephone: 514-738-2434

Fax: 514-738-8480

Europe, Middle East & Africa Region

Please contact your local distributor or Bosch sales office. Use this link:

<http://www.boschsecurity.com/startpage/html/europe.htm>

Asia Pacific Region

Please contact your local distributor or Bosch sales office. Use this link:

http://www.boschsecurity.com/startpage/html/asia_pacific.htm

More Information

For more information please contact the nearest Bosch Security Systems location or visit www.boschsecurity.com

2 Unpacking

- This equipment should be unpacked and handled with care. Check the exterior of the packaging for visible damage. If an item appears to have been damaged in shipment, notify the shipper immediately.
- Verify that all the parts listed in the Parts List below are included. If any items are missing, notify your Bosch Security Systems Sales or Customer Service Representative.
- Do not use this product if any component appears to be damaged. Please contact Bosch Security Systems in the event of damaged goods.
- The original packing carton is the safest container in which to transport the unit and must be used if returning the unit for service. Save it for possible future use.

Quantity	Component
1	AUTODOME IP 4000i camera
1	Camera mounting plate
1	Screwdriver, T10 Torx
1	Screwdriver, T15 Torx
4	MAC address labels
1	Quick Installation Guide
1	Safety instructions
1	Technical description (EAC)

Quantity	Component
1	AUTODOME IP 4000i camera
1	Mounting template
1	Screwdriver, T10 Torx
4	MAC address labels
1	Quick Installation Guide
1	Safety instructions
1	Technical description (EAC)

3 **Product Description**

The AUTODOME IP 4000i is a compact, indoor PTZ dome camera with a high-resolution 1080p60 HD sensor and a 12x optical zoom that allows operators to monitor wide scenes without losing any details. The camera's aesthetic design and flexible mounting options allow unobtrusive surveillance of large halls, reception areas, or waiting areas that would otherwise require multiple cameras for effective surveillance.

4 Mounting Accessories

Model Number	Description	Installation Location
NDA-U-WMT	Pendant wall mount	Indoor walls (direct installation) Outdoor walls (onto NDA-U-PAx or NDA-U-WMP)
NDA-U-PA0 NDA-U-PA1 NDA-U-PA2	Surveillance cabinet (24VAC, 120VAC, or 230VAC)	Indoor/outdoor walls
NDA-U-CMT	Corner mount adapter	Corner of a building
NDA-U-PMAL	Pole mount adapter (large)	Poles that support surveillance cameras
NDA-U-WMP	Mount plate for wall mount, corner mount, or pole mount	Indoor/outdoor walls
NDA-4020-PIP	Pendant interface plate to mount camera to NDA-U-WMT or to NDA-U-PMT	Between camera and wall mount or pipe mount
NEZ-A4-SMB	Surface mount box	Indoor hard-ceilings
NDA-U-PSMB	Surface mount box (SMB) for wall mount or pipe mount	Indoor walls
NDA-U-PMT	Pendant pipe mount	Indoor high ceilings
NDA-U-PMTE	Pendant pipe mount extension	Indoor high ceilings
VGA-IC-SP	In-ceiling support kit	Indoor suspended ceilings
NDA-4020-PLEN	Plenum box	Plenum spaces in indoor suspended ceilings

5 Preparing Wiring

- ▶ Prepare and install all wiring for 24 VAC, PoE+ (Cat5e/Cat6), alarms, and audio as necessary. For 24 VAC, follow the recommendations for maximum cable distance and wire gage.

Maximum cable distance in meters (feet) per minimum cable diameter

The following table identifies the recommended transmission distance (maximum) in meters (feet), based on the specified wattage, per the minimum cable diameter (in mm²), when the cable diameter is fixed and the maximum permitted power consumption for 24 VAC is 10%. For example, for a device of 20 W and a minimum cable diameter of 1.0 mm², the recommended transmission distance is 42 m (141 feet) from the transformer.

Models	Watts	1.0 mm ²	1.5 mm ²	2.5 mm ²	4.0 mm ²
Indoor (ceiling)	20	42 m (141 ft)	68 m (225 ft)	109 m (358 ft)	275 m (905 ft)
Outdoor	30	28 m (94 ft)	45 m (150 ft)	72 m (238 ft)	183 m (603 ft)

Wire Gage

Note: Metric wire sizes are standard DIN sizes, ISO6722, mm².

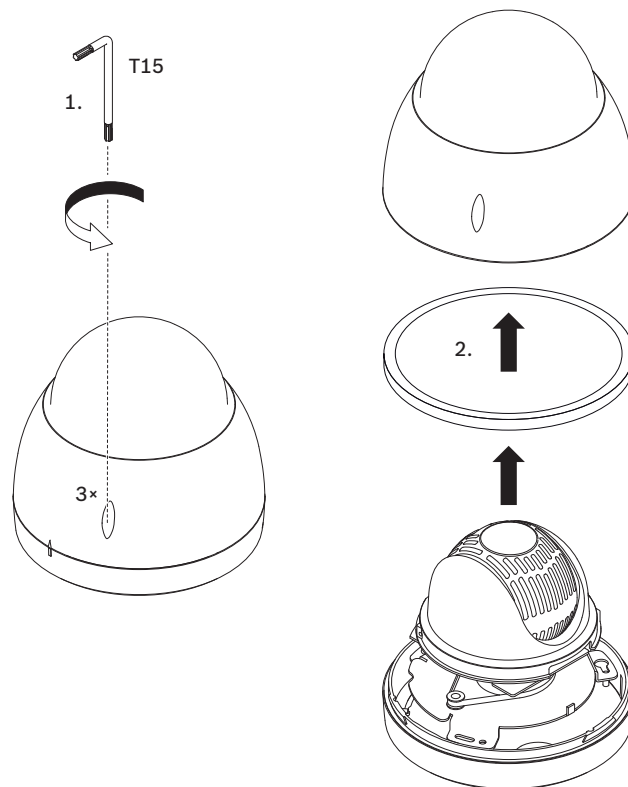
Wire diameter (mm ²)	AWG
1.0	18
1.5	16
2.5	14
4.0	12

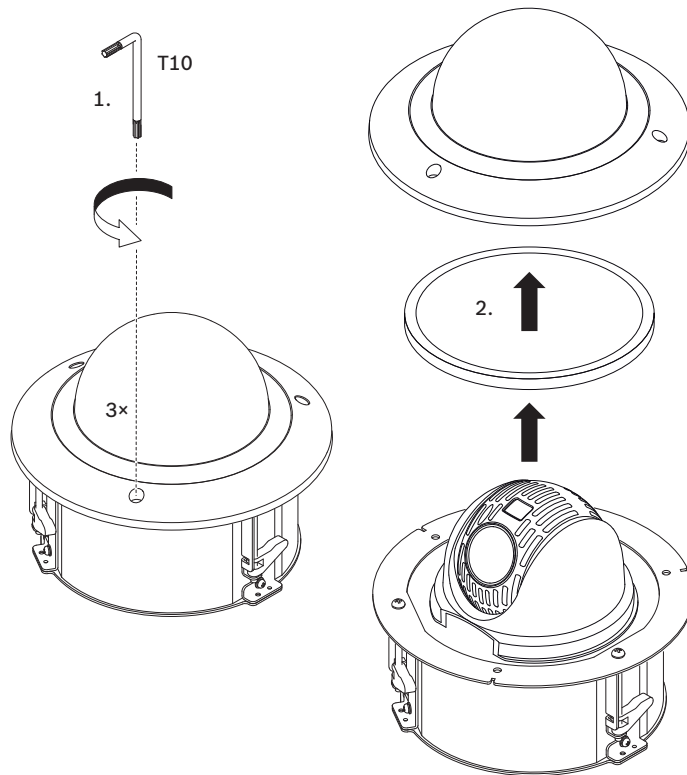
6 Preparing the Camera

Note: For *pendant* models, use T15.

For *in-ceiling* models, use T10.

1. Loosen the three (3) Hex screws in the trim ring / bubble enclosure with the appropriate Torx screwdriver.
2. Remove the trim ring / bubble enclosure.

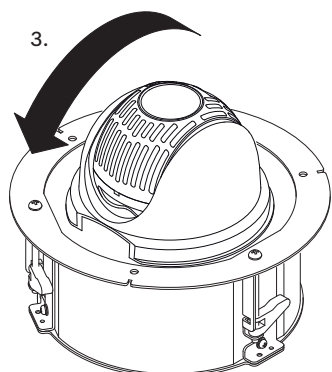
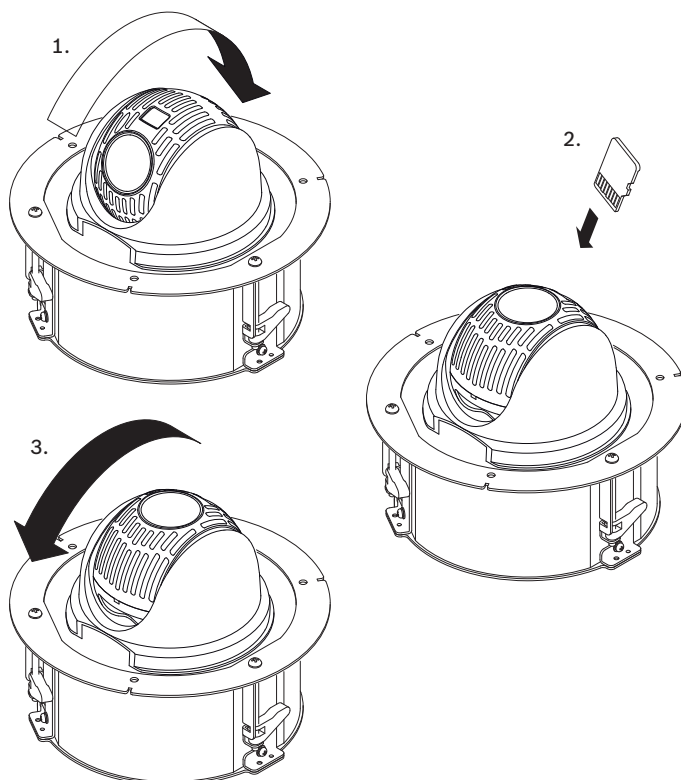
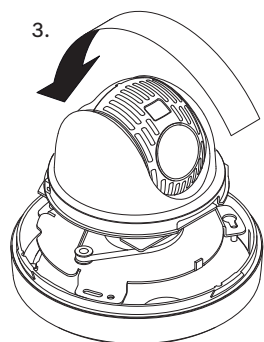
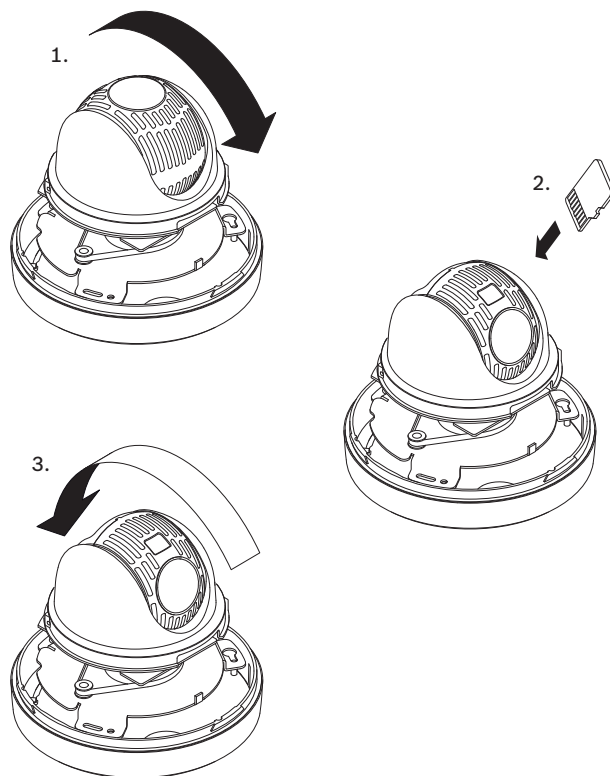




3. Remove the foam insert that protects the camera block.
4. Remove the tape holding the plastic lens protector; remove the lens protector.

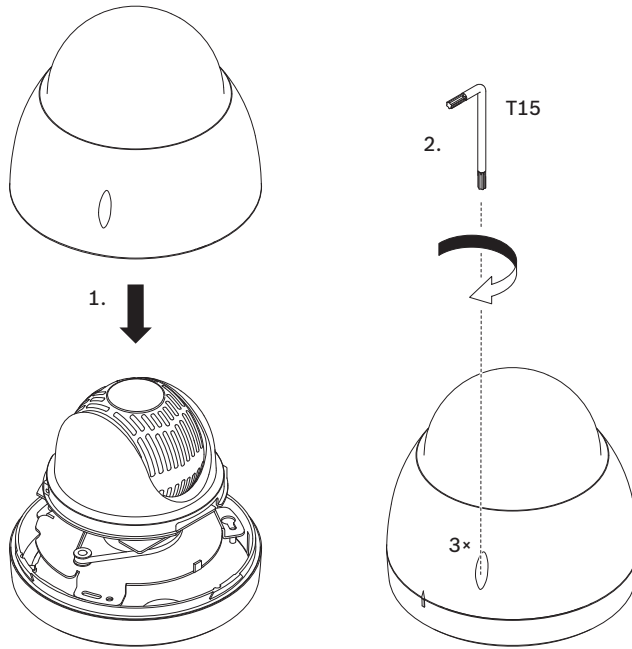
7 Installing a microSD card (optional)

1. Push the camera block until you see the card slot (item 1 in the following figure).
2. Insert the card into the slot (item 2 in the following figure).
3. Push the camera block into its original position (item 3 in the following figure).



Note: The next two steps are for pendant models only.

1. Replace the trim ring / bubble enclosure.
2. Tighten the screws with the T15 Torx screwdriver.



8 Installing a Surface Mount and Camera

8.1 Tools Required

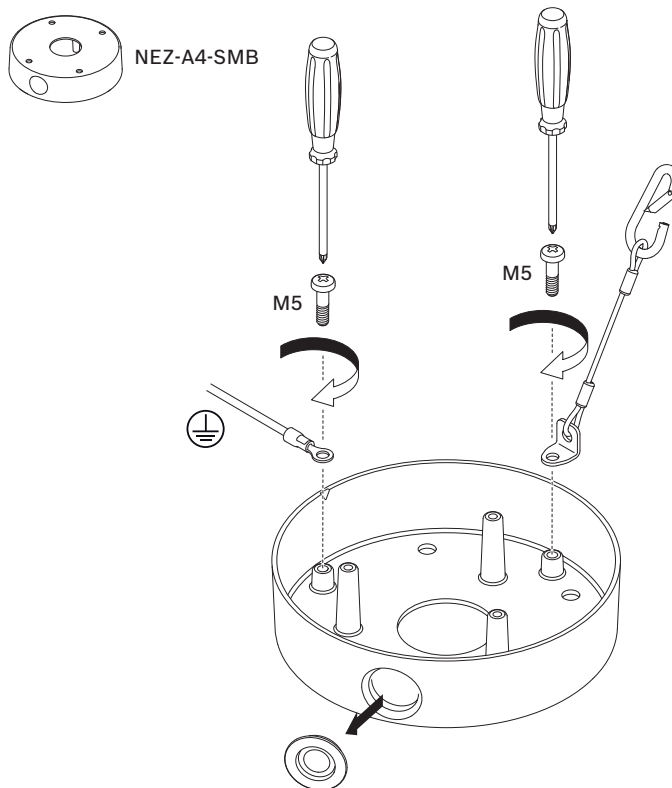
- Appropriate screwdriver (Phillips head)
- Appropriate tool for cutting a hole in drywall or ceiling tile (if applicable)
- One (1) ground

8.2 Installation Requirements

- The ceiling is thick enough to install the mounting screws.
- The ceiling can sustain at least eight (8) times the weight of the camera (1.88 kg (4.14 lb)): > 15 kg (33 lb).

8.3 Preparing the Surface Mount for Installation

1. Determine the side of the surface mount adapter (NEZ-A4-SMB) from which the external cables are to be routed. Remove the plug from the appropriate hole in the side of the adapter.
2. Attach a ground wire (user-supplied) to the stand-off on the inside of the adapter with the ground symbol with one M5 screw.
3. Attach the L-shaped end of the safety tether (supplied with the camera) to the stand-off on the inside of the adapter with the other M5 screw.

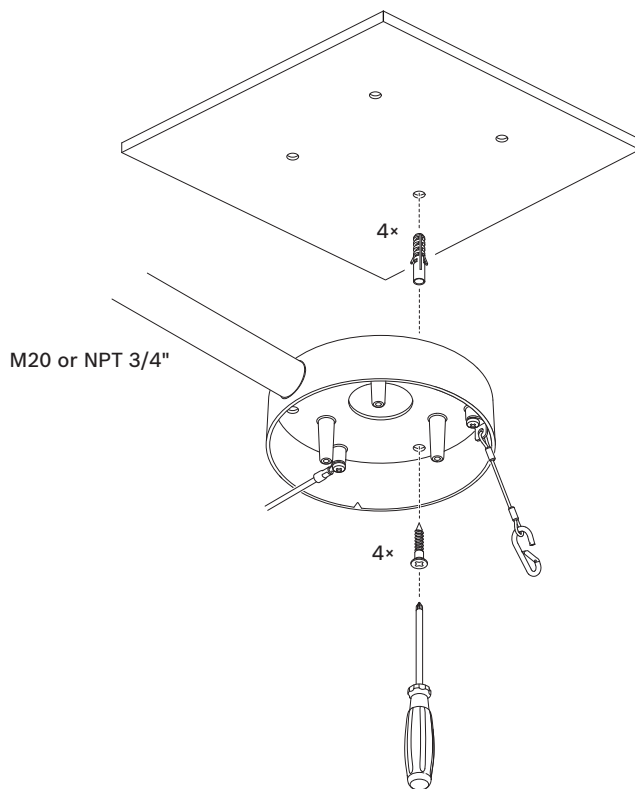


8.4 Installing the Surface Mount Adapter

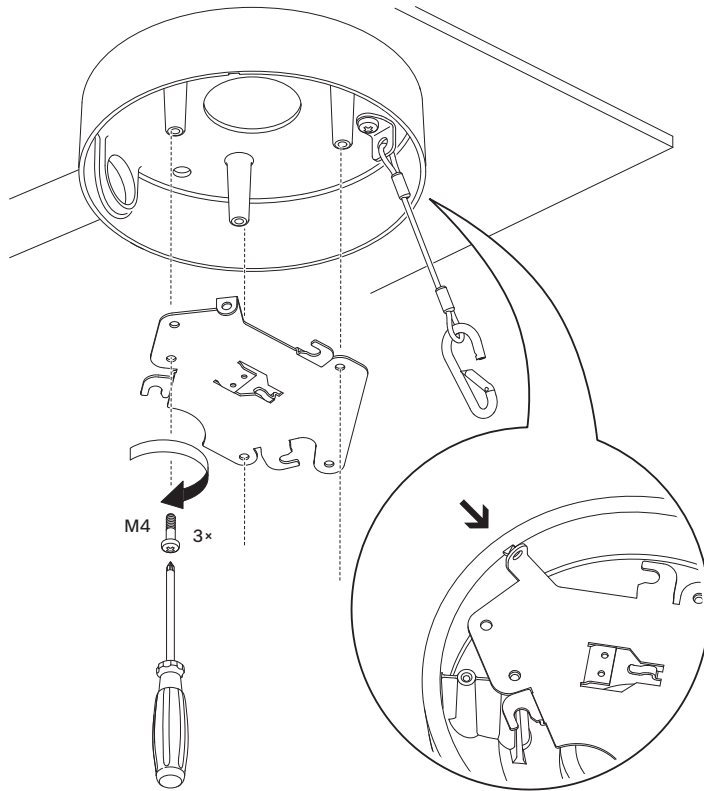
1. Determine a secure location for mounting the surface mount adapter (NEZ-A4-SMB) and the camera.
2. Use the adapter as a template to mark on the mounting surface the locations of the four holes in which to insert the screws for mounting the adapter.
3. Drill the four (4) holes in the installation location.
4. Attach the surface mount adapter to the surface using the four screws.

5. Attach conduit to the side of the adapter from which you removed the plug (the side from which the external cables are to be routed).

Note: The conduit should have M20 or NPT 3/4 inch threads.



1. Route the external cables (24 VAC, CAT 5/CAT6, alarm and/or audio as needed) through the conduit and into the surface mount adapter.
2. Attach the mounting plate (supplied with the camera) to the surface mount adapter with the three (3) M4 – .7 x 8 Phillips pan head machine screws (supplied with the surface mount adapter).



9 Installing an In-ceiling Camera in a Suspended Ceiling

9.1 Tools Required

- Appropriate screwdriver (Phillips head)
- Appropriate tool for cutting a hole in drywall or ceiling tile (if applicable)

9.2 Installation Requirements

- The ceiling thickness ranges from 10 - 40 mm.
- The ceiling can sustain at least eight (8) times the weight of the camera (1.81 kg (4 lb)): > 14.5 kg (32 lb).

9.3 Preparing the Suspension Ceiling for Installation

You must use the VGA-IC-SP In-ceiling Support Kit to install the camera In-ceiling housing into a suspended or drop ceiling. This kit requires a separate purchase.

1. Choose the desired location to mount the camera.
2. Remove an adjacent ceiling tile.
3. Loosen the four (4) securing screws, located in the corners of the Bracket Assembly, enough to hold the suspension bars but still allowing adjustment during installation.
4. Place the Bracket Assembly over the ceiling tile, which is used to mount the camera.
5. Snap the Bar Clips of the bracket to the ceiling rails.

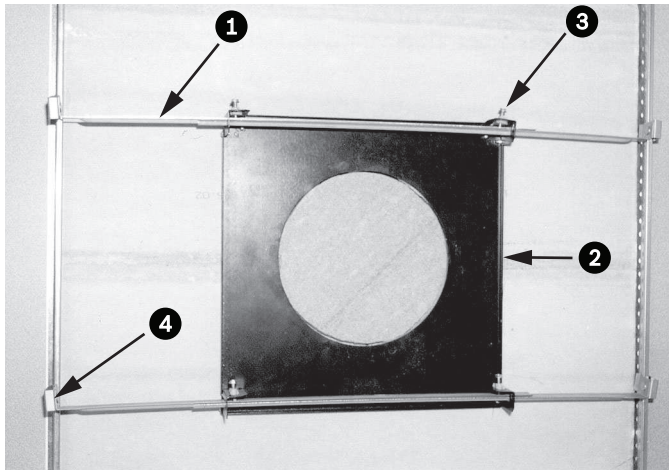


Figure 9.1: Suspension Ceiling Bracket (Top View)

1	Suspension Bars	3	Securing Screw (4)
2	Base Plate	4	Bar Clips

1. Use the bracket Base Plate as a template or cut a hole-sized hole in the center of the ceiling tile with a drywall utility saw or jig saw.

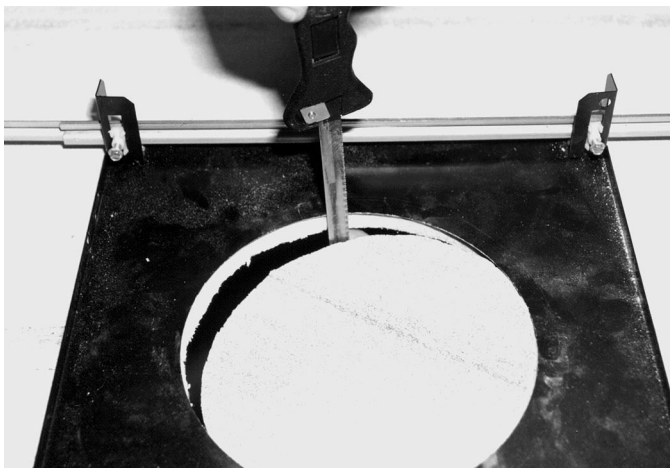


Figure 9.2: Cut Hole in Ceiling Tile

2. Tighten the four (4) securing screws to the Bracket Assembly.



Figure 9.3: Tighten Bracket Securing Screw

3. Secure the Bracket Assembly to an overhead securing point with a safety wire.

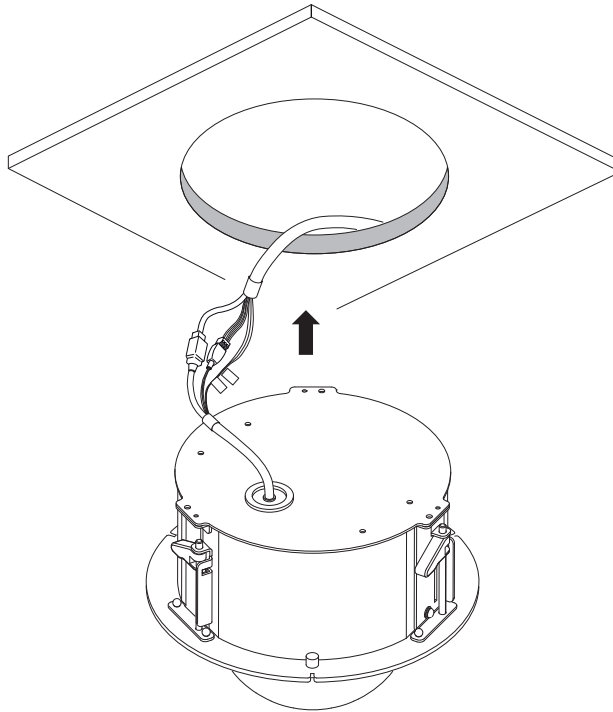


Figure 9.4: Secure Bracket Assembly

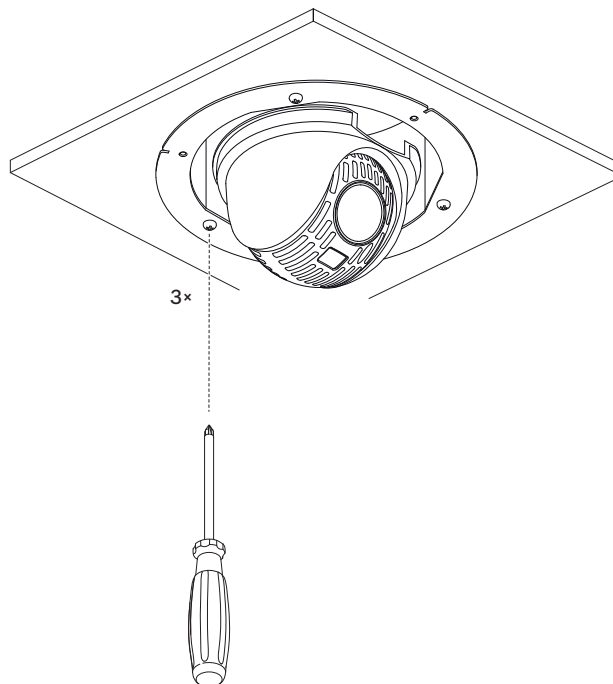
9.4

Securing the Camera to the Ceiling

1. Connect the cables from the ceiling to the cables on the camera. Refer to the chapter Connection for more information.



2. Insert the camera (without the trim ring / bubble enclosure) into the hole in the ceiling. Ensure not to pinch the cables.
3. Turn each fastening screw to secure the clamps in the ceiling.



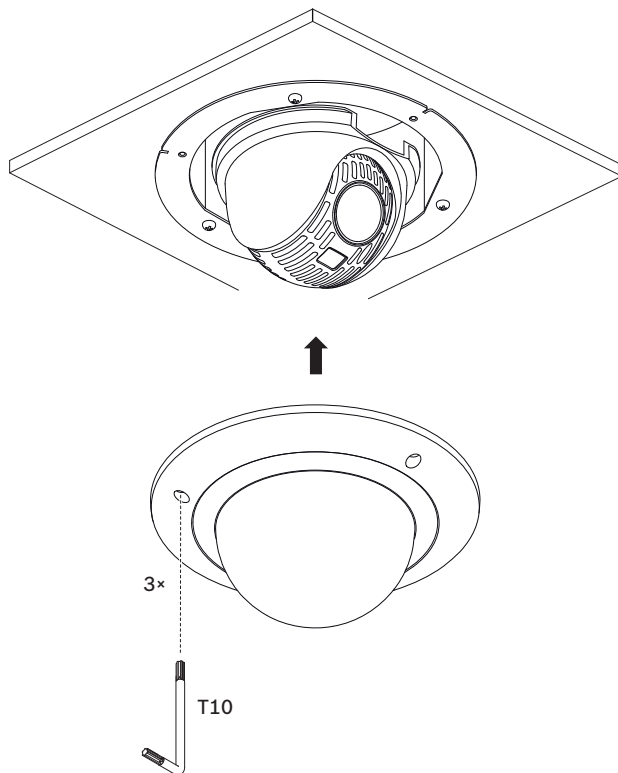
4. Tighten the clamps using the Phillips screwdriver to secure the housing to the ceiling.



Warning!

Over torquing the ceiling clamps can damage the clamp or ceiling. Only tighten the clamp until it contacts the ceiling and you start to feel some resistance. If using a power screwdriver, set the torque level to the lowest setting.

5. Place the trim ring / bubble enclosure in position over the camera block, aligning the three (3) screws. Tighten the screws firmly to secure the trim ring / bubble enclosure to the in-ceiling bracket.



10 Installing an In-Ceiling Camera in a Drywall Ceiling

10.1 Tools Required

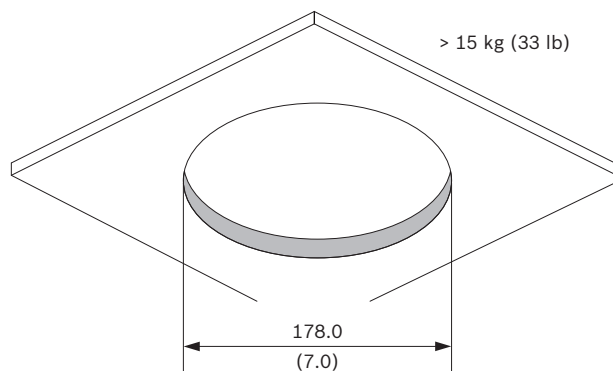
- Appropriate screwdriver (Phillips head)
- Appropriate tool for cutting a hole in drywall or ceiling tile (if applicable)

10.2 Installation Requirements

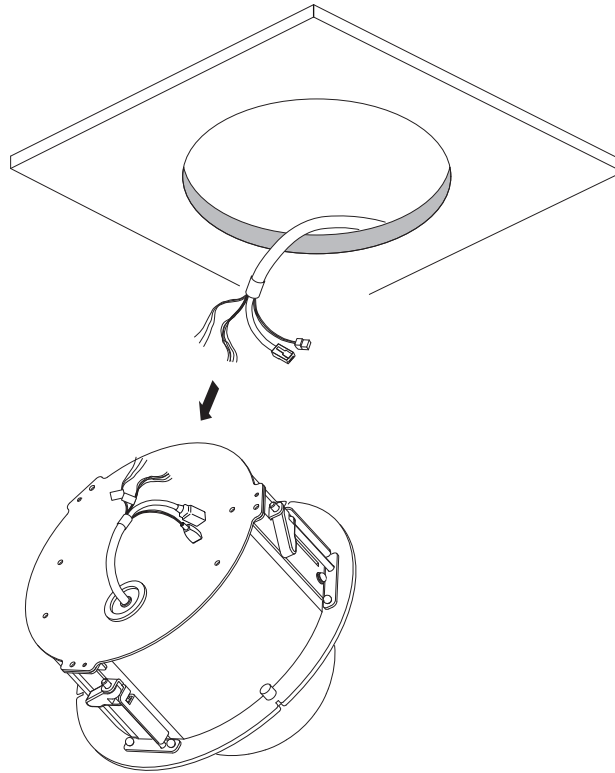
- The ceiling thickness ranges from 10 - 40 mm.
- The ceiling can sustain at least eight (8) times the weight of the camera (1.81 kg (4 lb)): > 14.5 kg (32 lb).

10.3 Preparing the Ceiling for Installation

1. Use the template to mark the hole in the ceiling for the camera.
2. Cut the hole in the ceiling with a drywall utility saw or jig saw.



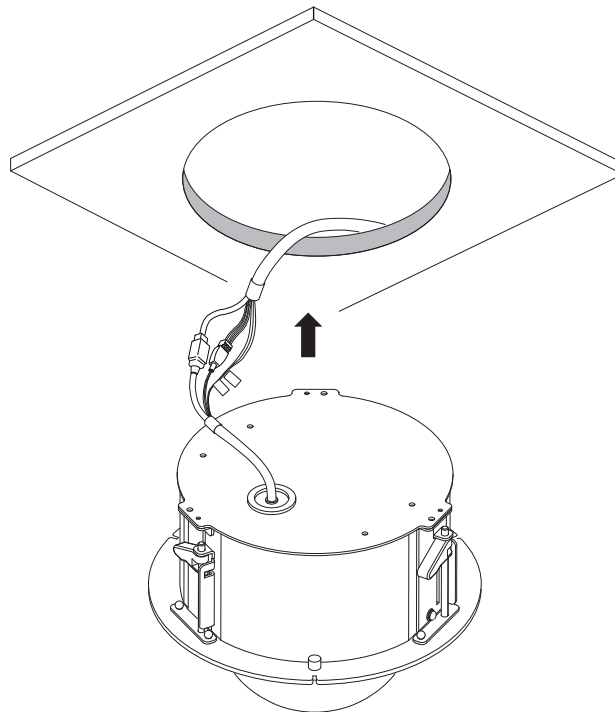
3. Pull the cables (24 VAC, CAT 5/CAT6, alarm and/or audio as needed) through the hole in the ceiling.



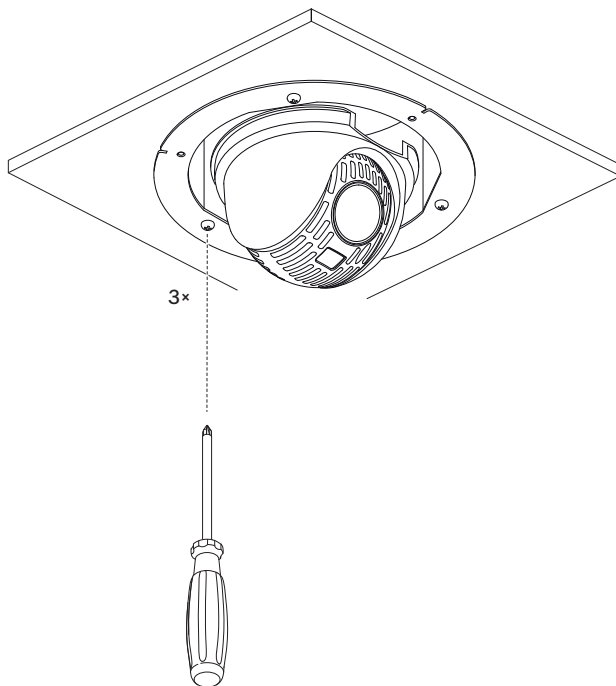
10.4

Securing the Camera to the Ceiling

1. Connect the cables from the ceiling to the cables on the camera. Refer to the chapter Connection for more information.



2. Insert the camera (without the trim ring / bubble enclosure) into the hole in the ceiling. Ensure not to pinch the cables.
3. Turn each fastening screw to secure the clamps in the ceiling.

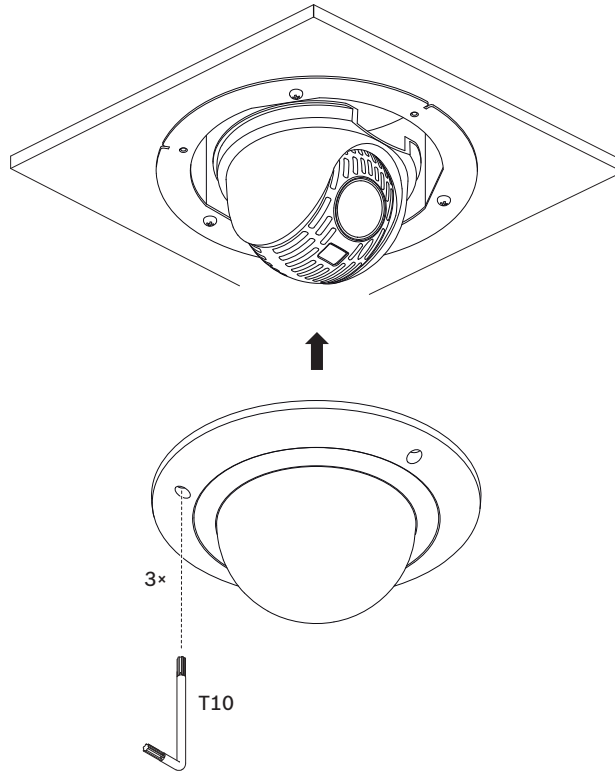


4. Tighten the clamps using the Phillips screwdriver to secure the housing to the ceiling.

**Warning!**

Over torquing the ceiling clamps can damage the clamp or ceiling. Only tighten the clamp until it contacts the ceiling and you start to feel some resistance. If using a power screwdriver, set the torque level to the lowest setting.

5. Place the trim ring / bubble enclosure in position over the camera block, aligning the three (3) screws. Tighten the screws firmly to secure the trim ring / bubble enclosure to the in-ceiling bracket.



11 Installing a Camera Directly to an Indoor Wall

11.1 Installation Requirements

- The wall is thick enough to install the mounting screws.
- The wall can sustain at least eight (8) times the weight of the camera (1.88 kg (4.14 lb)): > 15 kg (33 lb).

11.2 Preparing the Wall for Installation

**Notice!**

Indoor use only!

The instructions in this chapter apply to indoor installation only. For outdoor installation, use either the surveillance cabinet (NDA-U-PAx) or the mount plate (NDA-U-WMP).

1. Determine a secure location for the wall mount. Ensure there is an adequate opening in the wall for the cables to pass through.
2. Use the direct connect plate as a template to mark the location to drill holes for the four mounting screws (and anchors (user-supplied) if necessary), and to cut the hole for the cables.
3. Drill the holes.
4. Insert the wall anchors (user-supplied) (if necessary) into the wall at the locations marked in step 2.
5. Cut an appropriately-sized hole for the cables, using a drywall utility saw or jig saw.

11.3 Installing the Wall Mount

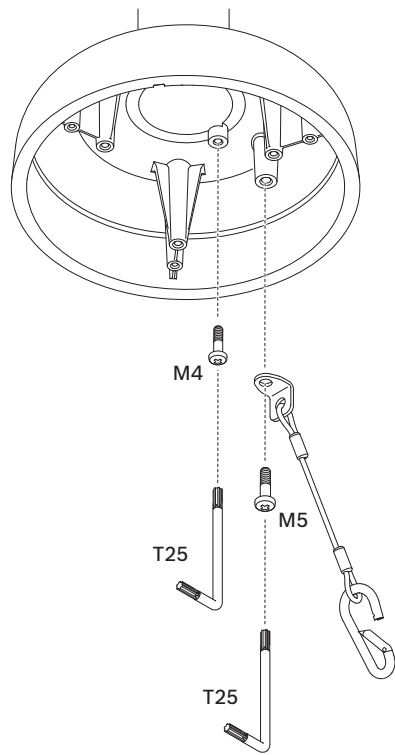
1. Attach the direct connect plate to the wall.
2. Thread the RJ45 cable and 24 VAC cables through the wall and then through the (adapter).

Ensure that the cables are long enough to reach through the mount and the camera's mounting cap to the connections from the camera.

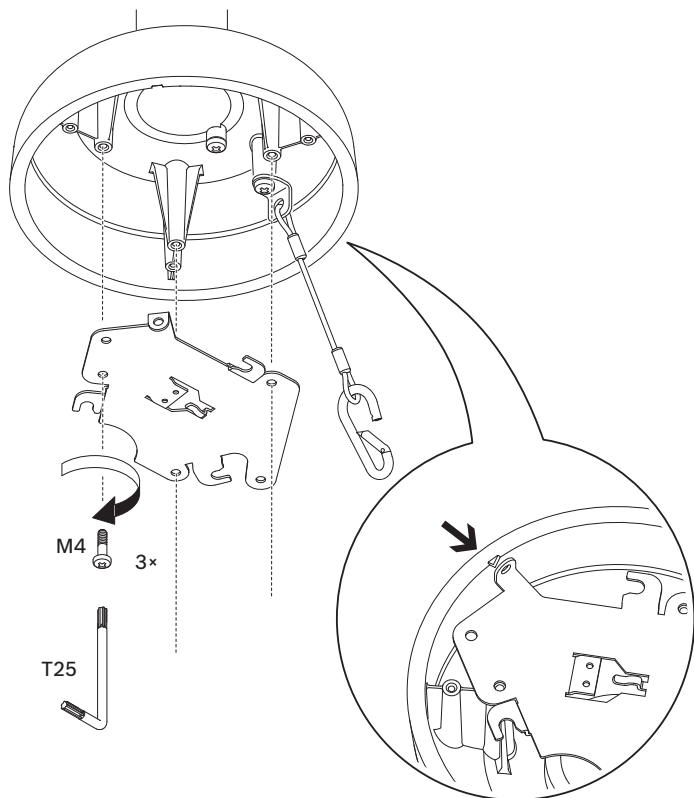
1. Slide the mounting flange over the wall mount.
2. Attach the wall mount to the mounting flange and to the direct connect plate using four M5 screws.
3. Attach the wall mount to the mounting flange and fix them on the front door of the Wall-mount Surveillance Cabinet by using four M5 screws.

11.4 Attaching the Camera to the Pendant Interface Plate

1. Install the pendant interface plate mount onto the end of the wall mount or the pipe mount.
2. Attach an M5 screw and the L-shaped end of the safety tether to the stand-off on the pendant interface plate mount with the T25 Torx screwdriver.
3. Attach the M4 screw to the ground point on the pendant interface plate mount with the T25 Torx screwdriver.

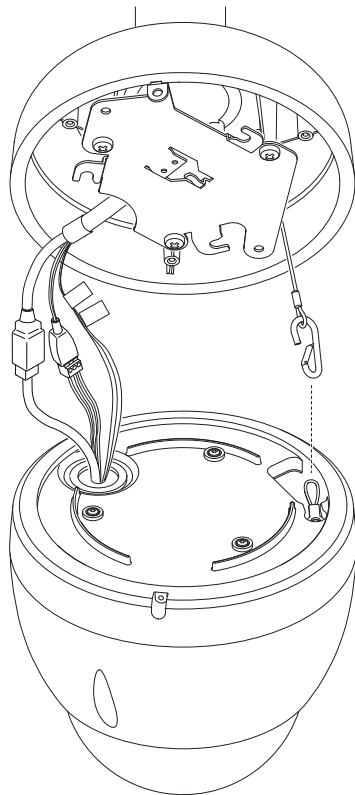


- 4. Route the cables from the ceiling out of the side of the mounting plate with the crescent-shaped cut-out.
- 5. Attach the metal mounting plate to the inside of the pendant interface plate mount with the three (3) M4 screws. Orient the plate as indicated in the following figure.

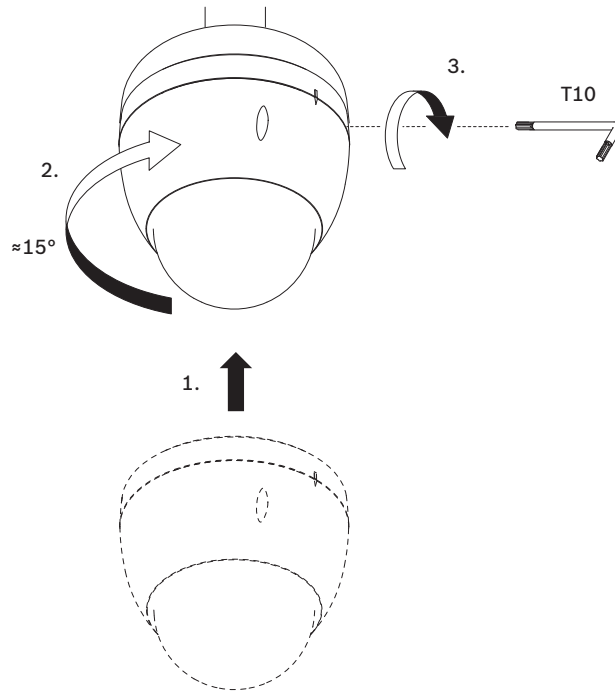


- 6. Attach the hook of the safety tether from the adapter to the bottom of the camera.

7. Connect the mating connectors from the user-supplied cables from the ceiling to the matching connectors from the camera. Refer to the chapter *Connection*, page 39 for more information.



8. Unlock the single safety locking screw on the base of the unit using the T10 Torx screwdriver.
9. Attach the camera to the mounting plate by inserting the vertical tab on the plate into the recessed slot on the top of the camera dome to the right of the safety locking screw.
10. Rotate the camera approximately 15 degrees in a clockwise direction to lock firmly into place.
11. Secure the safety locking screw with the T10 Torx screwdriver.



12 Installing a Surveillance Cabinet and Camera

The surveillance cabinet can attach directly to a wall, to a corner mount, or to a pole mount. To install the cabinet (power supply box), follow the instructions in the Surveillance Cabinet *Installation Manual*.

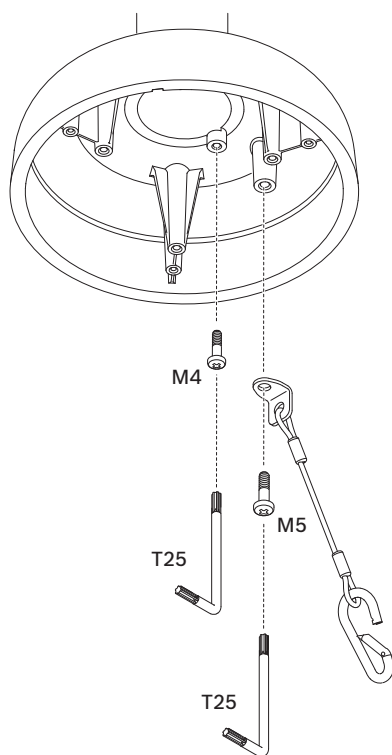
1. Thread the cables through the wall and the mounts. Ensure that the cables are long enough to reach through the mount and the camera's mounting cap to the connections from the camera.

12.1 Installing the Wall Mount

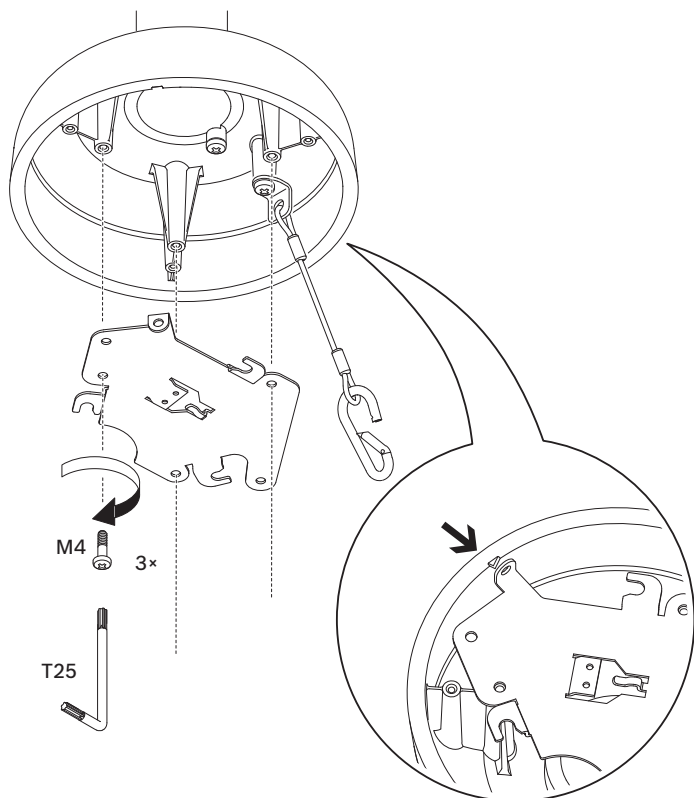
1. Slide the mounting flange over the wall mount.
2. Attach the wall mount to the mounting flange and fix them on the front door of the Wall-mount Surveillance Cabinet by using four M5 screws.

12.2 Attaching the Camera to the Pendant Interface Plate

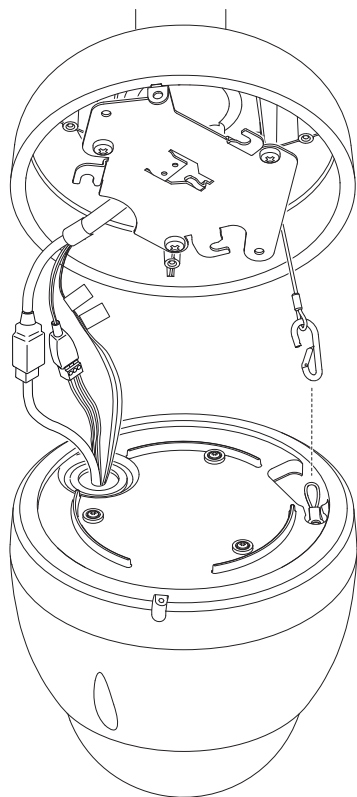
1. Install the pendant interface plate mount onto the end of the wall mount or the pipe mount.
2. Attach an M5 screw and the L-shaped end of the safety tether to the stand-off on the pendant interface plate mount with the T25 Torx screwdriver.
3. Attach the M4 screw to the ground point on the pendant interface plate mount with the T25 Torx screwdriver.



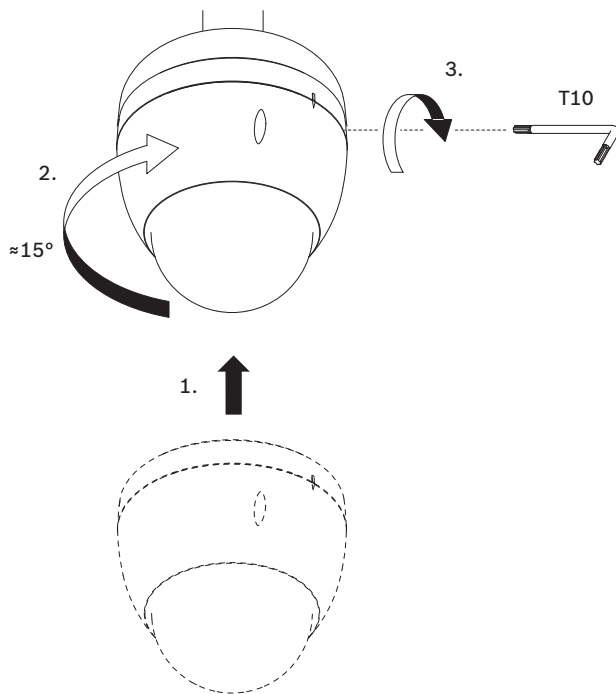
4. Route the cables from the ceiling out of the side of the mounting plate with the crescent-shaped cut-out.
5. Attach the metal mounting plate to the inside of the pendant interface plate mount with the three (3) M4 screws. Orient the plate as indicated in the following figure.



- 6. Attach the hook of the safety tether from the adapter to the bottom of the camera.
- 7. Connect the mating connectors from the user-supplied cables from the ceiling to the matching connectors from the camera. Refer to the chapter *Connection*, page 39 for more information.



8. Unlock the single safety locking screw on the base of the unit using the T10 Torx screwdriver.
9. Attach the camera to the mounting plate by inserting the vertical tab on the plate into the recessed slot on the top of the camera dome to the right of the safety locking screw.
10. Rotate the camera approximately 15 degrees in a clockwise direction to lock firmly into place.
11. Secure the safety locking screw with the T10 Torx screwdriver.



13 Installing a Pipe Mount and Camera

**Notice!**

Indoor use only!

This mount shall only be installed indoors. No outdoors installation is permitted.

13.1 Tools Required

- Appropriate tool for cutting a hole in drywall
- No. 2 Phillips screwdriver
- Torx screwdriver, T-25

13.2 Installation Requirements

- The ceiling is thick enough to install the mounting screws.
- The ceiling can sustain at least eight (8) times the weight of the camera (1.88 kg (4.14 lb)): > 15 kg (33 lb).

13.3 Preparing the Ceiling for Installation

1. Determine a secure location for the pipe mount. Ensure there is an adequate opening in the ceiling or mounting structure for the cables to pass through.

**Caution!**

Select a rigid mounting location to prevent excessive vibration to the camera.

**Notice!**

The fasteners and mounting surface must be capable of supporting a maximum load of 11.33 kg (25 pounds).

2. Use the direct connect plate as a template to mark the location to drill holes for the four mounting screws (and anchors (user-supplied) if necessary), and to cut the hole for the cables.
3. Drill the holes for the mounting screws.
4. Drill a hole (maximum of 20 mm [.79 in.]) in the center of the mounting location to feed the cables through the mount.
5. Insert the wall anchors (user-supplied), if necessary, into the ceiling at the locations marked in step 2.

13.4 Installing the Pipe Mount

1. Attach the direct connect plate to the ceiling or mounting surface.
2. Thread the RJ45 cable and 24 VAC cables through the ceiling and then through the (adapter).

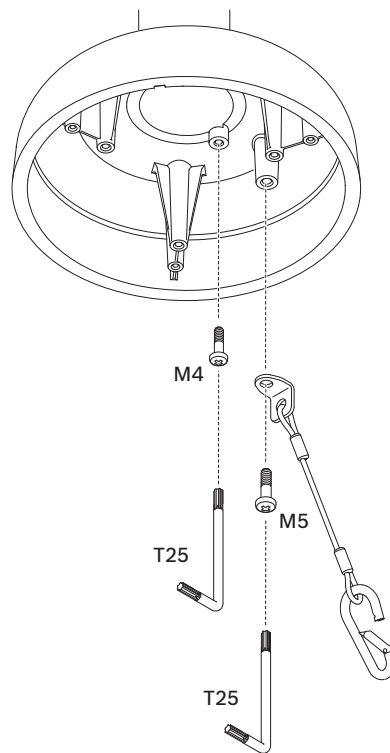
Ensure that the cables are long enough to reach through the mount and the camera's mounting cap to the connections from the camera.

1. Attach the mounting flange and (adapter) to the direct connect plate using four M5 screws.
2. Thread the cables through the pipe mount.
3. Attach the pipe mount to the mounting flange and (adapter).

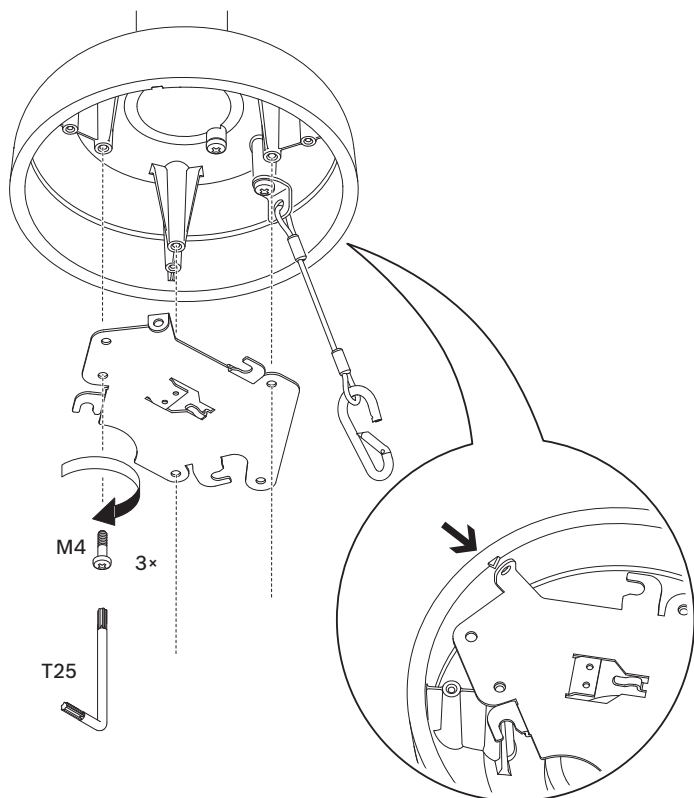
4. If you choose to install the pipe mount extension, thread the cables through the extension. Attach the pipe extension to the open end of the pipe mount.
5. Attach the hook at the end of the Safety Tether to the loop attached to the top of the camera.
6. Connect the mating connectors from the user-supplied cables from the pipe to the matching connectors from the camera. Refer to the chapter Connection for more information.
7. Place the top of the camera inside the mounting cap.
8. Rotate the camera approximately 15 degrees in a clockwise direction to lock firmly into place.
9. Secure the safety locking screw with the T15 Torx screwdriver.

13.5 Attaching the Camera to the Pendant Interface Plate

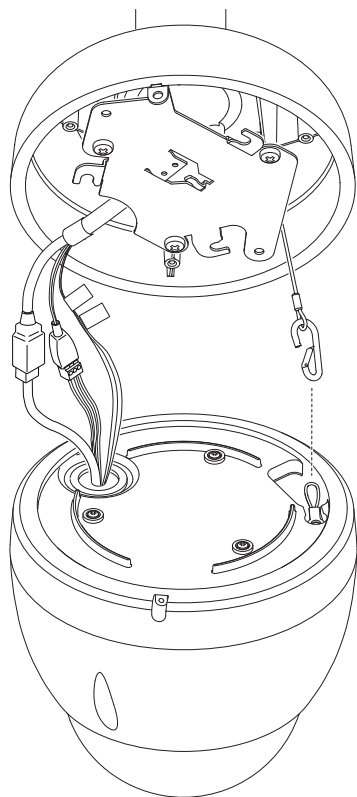
1. Install the pendant interface plate mount onto the end of the wall mount or the pipe mount.
2. Attach an M5 screw and the L-shaped end of the safety tether to the stand-off on the pendant interface plate mount with the T25 Torx screwdriver.
3. Attach the M4 screw to the ground point on the pendant interface plate mount with the T25 Torx screwdriver.



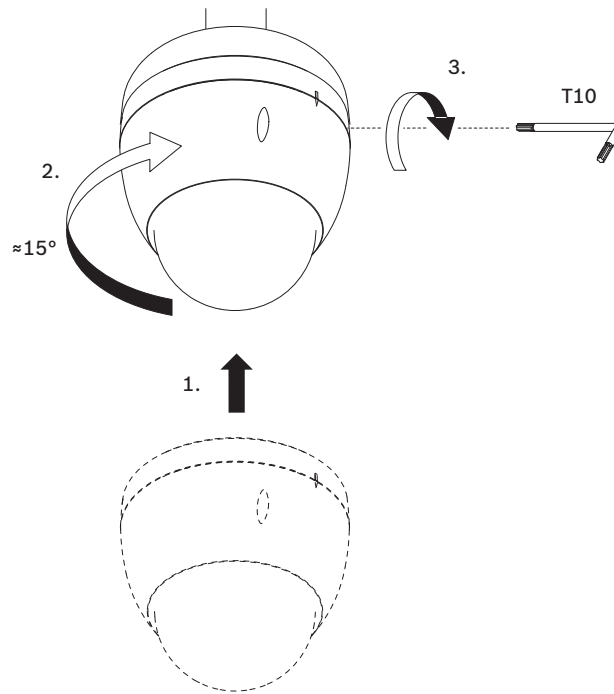
4. Route the cables from the ceiling out of the side of the mounting plate with the crescent-shaped cut-out.
5. Attach the metal mounting plate to the inside of the pendant interface plate mount with the three (3) M4 screws. Orient the plate as indicated in the following figure.



6. Attach the hook of the safety tether from the adapter to the bottom of the camera.
7. Connect the mating connectors from the user-supplied cables from the ceiling to the matching connectors from the camera. Refer to the chapter *Connection*, page 39 for more information.



8. Unlock the single safety locking screw on the base of the unit using the T10 Torx screwdriver.
9. Attach the camera to the mounting plate by inserting the vertical tab on the plate into the recessed slot on the top of the camera dome to the right of the safety locking screw.
10. Rotate the camera approximately 15 degrees in a clockwise direction to lock firmly into place.
11. Secure the safety locking screw with the T10 Torx screwdriver.



14 Connection



Caution!

Compliance with EN50130-4 Alarm Standard – CCTV for Security Applications

To meet the requirements of the EN50130-4 Alarm Standard, an ancillary uninterruptable power (UPS) supply is necessary. The UPS must have a **Transfer Time** between 2–6 ms and a **Backup Runtime** of greater than 5 seconds for the power level as specified on the product datasheet.

Note: Consult the National Electrical Code (NEC) for cable bundling requirements and limitations.

- ▶ Connect the cable to the 24 VAC wires from the camera.

Label ID	Description	Cable Wire Color
AC24V	24 VAC	Red
AC24V	24 VAC	Black
EARTH	Earth Ground	Yellow/Green

- ▶ Connect the Ethernet cable to the RJ45 connector of the camera. The following figure illustrates a typical system configuration.

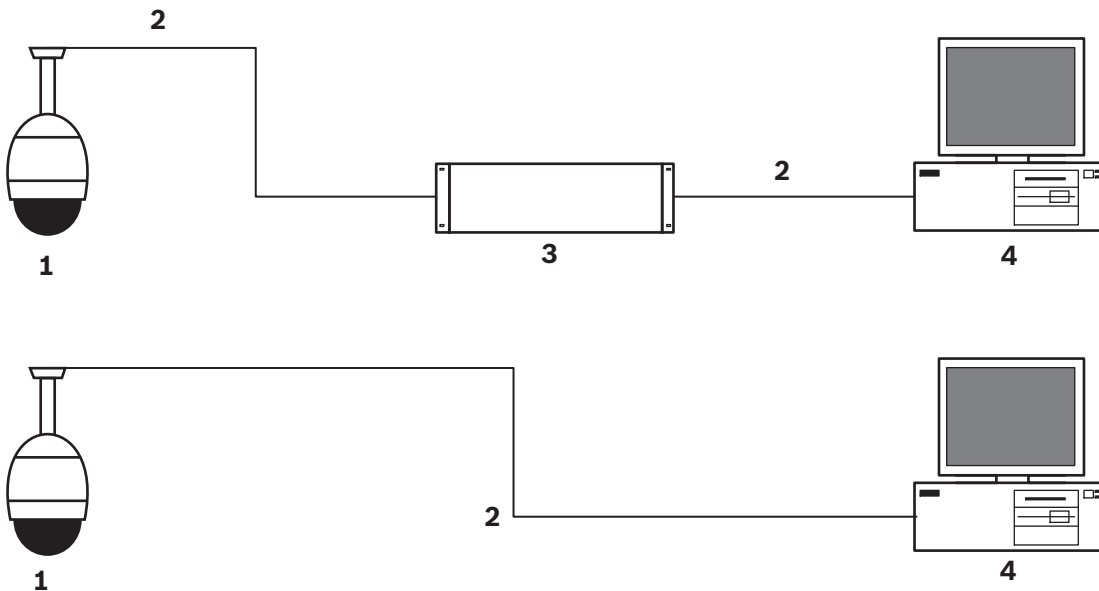


Figure 14.1: AUTODOME IP System Config

1	AUTODOME camera
2	IP connection (Ethernet/CAT5/CAT6) (100 m maximum)
3	Network switch
4	Network device (computer with monitor, DVR/NVR, etc.)

- ▶ If desired, connect the alarm and/or audio wires as identified in the following table.

Label ID	Description	Cable Wire Color
ALARM_COM	Alarm Communications	Red
ALARM_OUT	Alarm Out	Brown

Label ID	Description	Cable Wire Color
ALARM_IN1	Alarm In 1	White
ALARM_IN2	Alarm In 2	Blue
AUDIO_OUT	Audio Out	Grey
GND	Ground	Black
AUDIO_GND	Audio Ground	Green
AUDIO_IN	Audio In	Purple

15 Maintenance

All bubbles require special care when handling and cleaning to avoid scratches.



Notice!

To avoid excessive moisture saturation inside the housing, limit the amount of time that the bubble is disconnected from the housing. Bosch recommends that the bubble be removed from the housing for no more than five (5) minutes.

Bubble Handling

The bubble may be packaged with a protective plastic sheet. It is recommended that the bubble remain stored this way until it is ready to install. Limit handling the bubble, as any scratches can quickly affect visibility.

Bubble Cleaning

If cleaning the bubble is required, use the following procedures and comply with all the warnings listed below.

Cleaning the Bubble Interior

The extremely soft interior surface should not be cleaned by rubbing or dusting with a cloth. Use clean dry compressed air, preferably from a spray can, to remove any dust from the interior surface.



Warning!

Do not use alcohol-based solutions to clean the bubble. This will cause the polycarbonate to cloud and over time cause stress aging, which makes the bubble brittle.

Cleaning the Bubble Exterior

The exterior of the bubble is hard coated for extra protection. If cleaning becomes necessary, only use cleaning solutions and cloths suitable for cleaning safety glass lenses. Dry the bubble thoroughly with a dry nonabrasive cloth to prevent water spots. Never scrub the bubble with any abrasive material or cleaners.

Bosch recommends cleaning the exterior of the bubble with NOVUS "No. 1" Plastic Clean & Shine (or equivalent), according to manufacturer's instructions. Refer to www.novuspolish.com to order or to find a local distributor.

Cautions

- Do Not clean bubbles in the hot sun or on very hot days.
- Do Not use abrasive or highly alkaline cleaners on the bubble.
- Do Not scrape the bubble with razor blades or other sharp instruments.
- Do Not use Benzene, Gasoline, Acetone, or Carbon Tetrachloride on the bubble.

16 Decommissioning

16.1 Transfer

The unit should only be passed on together with this installation guide.

16.2 Disposal



Disposal

Your Bosch product has been developed and manufactured using high-quality materials and components that can be reused.

This symbol means that electronic and electrical devices that have reached the end of their working life must be disposed of separately from household waste.

In the EU, separate collecting systems are already in place for used electrical and electronic products. Please dispose of these devices at your local communal waste collection point or at a recycling center.

Bosch Security Systems B.V.

Torenallee 49

5617 BA Eindhoven

Netherlands

www.boschsecurity.com

© Bosch Security Systems B.V., 2017