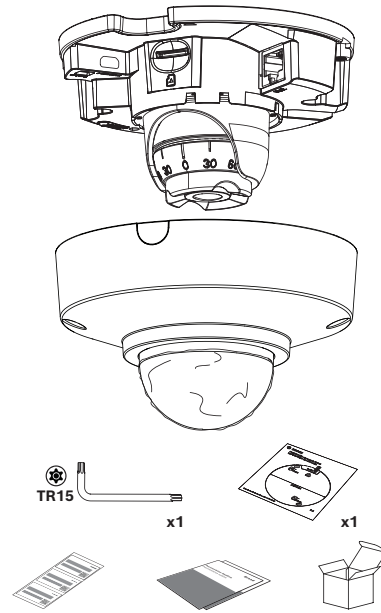


1 |

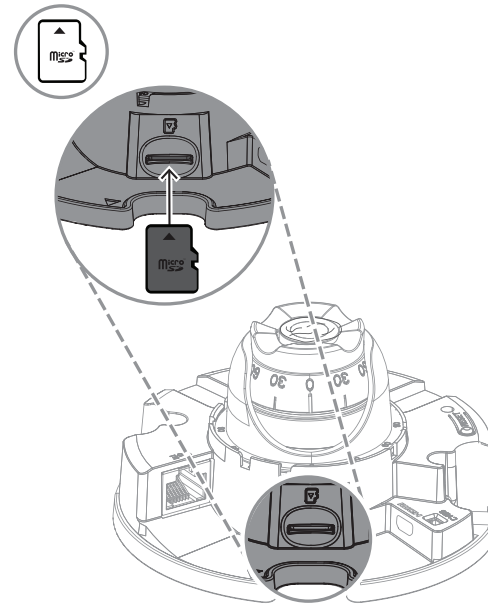
This manual is applicable to these products.
Dieses Handbuch gilt für diese Produkte.
Ce manuel s'applique à ces produits.
Este manual es aplicable a estos productos.
本手册适用于这些产品。

NUV-3702-F02, NUV-3702-F04, NUV-3702-F06,
NUV-3703-F02, NUV-3703-F04, NUV-3703-F06,
NUV-3702-F04H, NUV-3703-F02H, NUV-3702-F02-
GOV, NUV-3702-F04-GOV, NUV-3702-F06-GOV,
NUV-3703-F02-GOV, NUV-3703-F04-GOV, NUV-3703-
F06-GOV

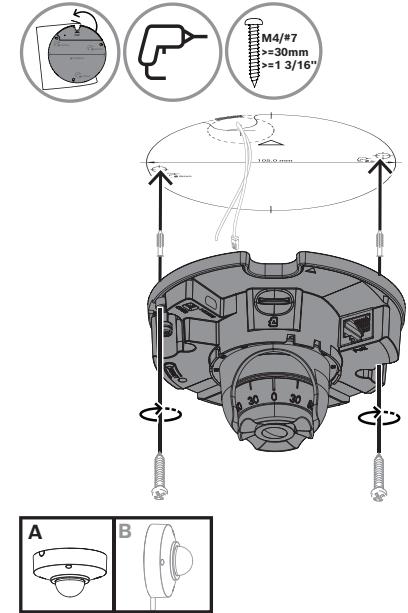
2 |



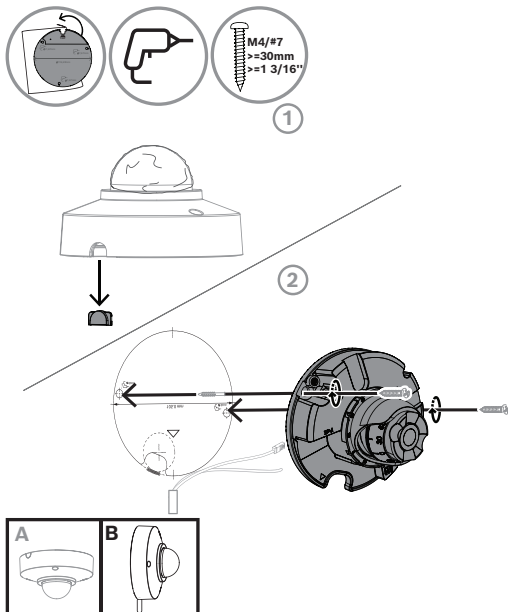
3 |



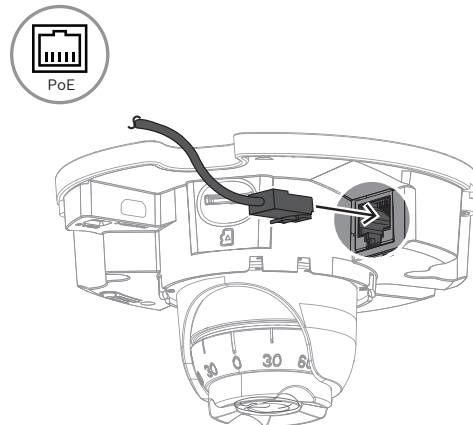
4 |



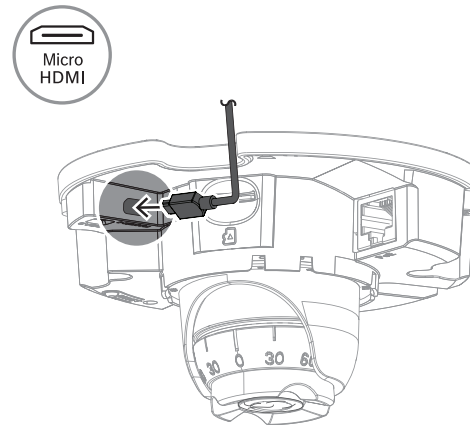
5 |



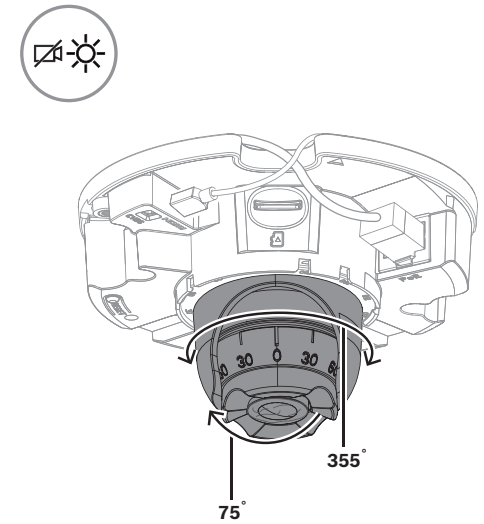
6 |

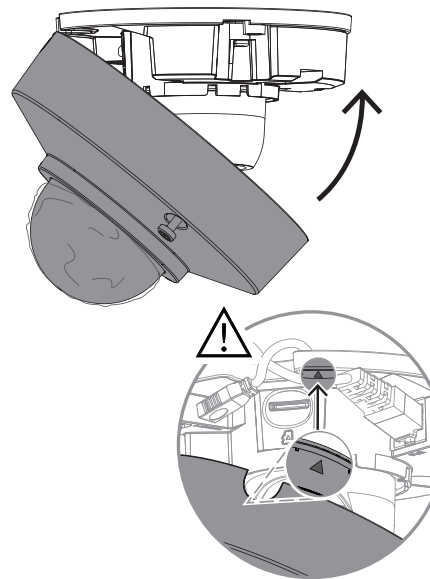
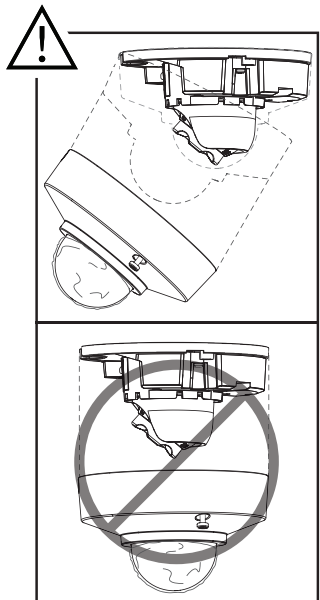
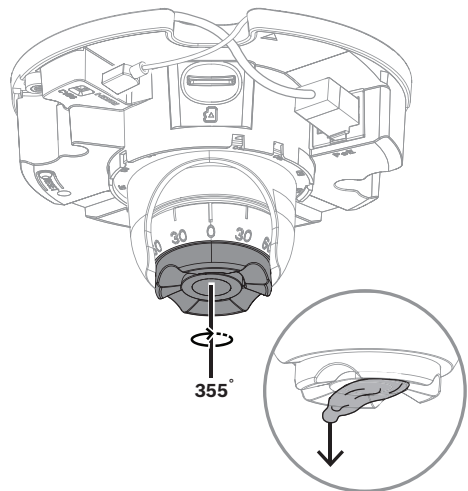


7 |

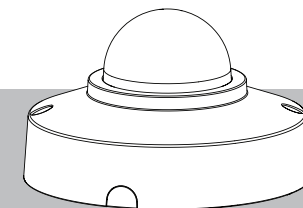


8 |

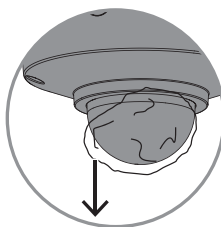
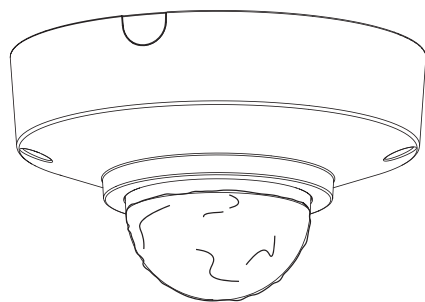
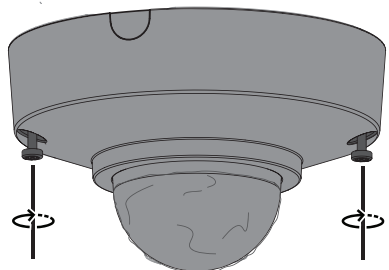




FLEXIDOME micro 3100i



en Quick installation guide



Bosch Security Systems B.V.

Torenallee 49

5617 BA Eindhoven

Netherlands

www.boschsecurity.com

© Bosch Security Systems B.V., 2023

Building solutions for a better life.