

XNP-6550RH

2M 55x Network IR PTZ Dome Camera

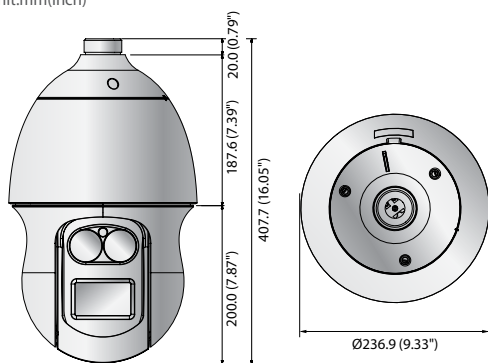


Key Features

- Max. 2megapixel (1920 x 1080) resolution
- 4.75 ~ 261.4mm (Optical 55x) lens
- Day & Night (ICR), WDR (120dB)
- DIS with built-in gyro sensor
- Max. IR viewable length : 500m
- H.265, H.264, MJPEG codec support
- Multiple streaming, WiseStreamII support
- Intelligent Video / Audio Analytics, Defog (Optical)
- Micro SD/SDHC/SDXC memory 2 slots (Up to 512 GB)
- IP66, IK10

Dimensions

Unit:mm(inch)



Accessories (Optional)



XNP-6550RH		
VIDEO	Imaging Device	1 / 2.8" 2.16M CMOS
	Total Pixels	1945 (H) X 1109 (V) approx 2.16M pixels
	Effective Pixels	1945 (H) X 1097 (V) approx 2.13M pixels
	Scanning System	Progressive scan
	Min. Illumination	Colour : 0.02 lux (1/30sec, F1.6), BW : 0.002 lux (1/30sec, F1.6), 0 Lux (IR LED On)
	S / N Ratio	50dB
	Video Out	CVBS : 1.0 Vp-p / 75Ω composite, 720x480 (N), 720x576 (P), for installation
LENS	Focal Length (Zoom Ratio)	4.75mm ~ 261.4mm (Optical 55x)
	Max. Aperture Ratio	F1.6 (Wide) ~ F6.5 (Tele)
	Angular Field of View	H : 58.6°(Wide) ~ 1.23°(Tele) / V : 34.8°(Wide) ~ 0.71°(Tele)
	Min. Object Distance	5m (16.40ft)
	Focus Control	AF / One-Shot AF / Manual
	Lens Type	DC auto iris
	Mount Type	Board-in type
	Zoom Movement Speed	Max. 5 sec (1x ~ 55x)
PAN / TILT / ROTATE	Pan Range	360° Endless
	Pan Speed	Preset : 400°/ sec, Manual : 0.024°/ sec ~ 250°/ sec
	Tilt Range	95°(-5° ~ 90°)
	Tilt Speed	Preset : 250°/sec, Manual : 0.024°/sec ~ 250°/sec
	Sequence	Preset (300 ea), Swing, Group (6 ea), Trace, Tour, Auto run, Schedule
	Preset Accuracy	±0.2°
	Azimuth	Yes (E, W, S, N, NE, SE, NW, SW OSD)
	Auto Tracking	Off / On
OPERATIONAL	Viewable Length	500m
	Camera Title	Off / On (Displayed up to 85 characters) - W/W : English / Numeric / Special characters - China : English / Numeric / Special / Chinese characters - Common : Multi-line (Max. 5), Colour (Grey / Green / Red / Blue / Black / White) Transparency, Auto scale by resolution
	Day & Night	Auto (ICR) / Color / B/W
	Backlight Compensation	Off / BLC / HLC / WDR
	Wide Dynamic Range	120dB
	Contrast Enhancement	SSDR (Off / On)
	Digital Noise Reduction	SSNR5 (2D+3D noise filter) (Off / On)
	Defog (Optical)	Auto / Manual / Off
	Digital Image Stabilisation	Off / On (Built-in gyro)
	Motion Detection	Yes (8 ea, polygonal zones)
	Privacy Masking	Off / On (24 Zones of rectangle zone) - Colour : Grey / Green / Red / Blue / Black / White - Zoom ratio option for mask mode - Mosaic option
	Gain Control	Off / Low / Medium / High
	White Balance	ATW / AWC / Manual / Indoor / Outdoor / Mercury / Sodium
	Electronic Shutter Speed	Minimum / Maximum / Anti flicker (2 ~ 1 / 12,000 sec)
	Digital Zoom	32x, Area zoom function support digital zoom 2x
Flip / Mirror	On / Off	
Intelligent Video Analytics	Tampering, Loitering, Directional detection, Fog detection, Virtual line, Enter/Exit, Appear/Disappear, Audio detection, Face detection, Motion detection, Sound classification	
Alarm I / O	Input 4 ea / Output 2 ea (Relay type)	
Remote Control Interface	RS-485	

XNP-6550RH		
OPERATIONAL (CONTINUED)	RS-485 Protocol	Samsung-T, Pelco-D / P, Panasonic, Honeywell, AD, Vicon, GE, BOSCH
	Alarm Triggers	Alarm input, Motion detection, Intelligent video analytics, Network disconnect
	Alarm events	File upload via FTP&E-Mail, Notification via E-Mail, Local storage (SD/SDHC) or NAS recording at event triggers, External output, PTZ preset
	Audio In	Selectable (Mic in / Line in), Supply voltage : 2.5VDC (4mA), Input impedance : approx. 2K Ohm
	Audio out	Line out (3.5mm stereo mini jack), Max output level : 1 Vrms
	Pixel Counter	Support
NETWORK	Ethernet	RJ-45 (10/100BASE-T) / SFP (* Only using SBP-303HF)
	Video Compression Format	H.265 / H.264 (MPEG-4 Part 10 / AVC) : Main / Baseline / High, Motion JPEG
	Resolution	1920 x 1080, 1280 x 1024, 1280 x 960, 1280 x 720, 1024 x 768, 800 x 600, 800 x 448, 720 x 576, 720 x 480, 640 x 480, 640 x 360, 320 x 240
	Max. Framerate	H.264 / H.265 : Max. 60fps at all resolutions Motion JPEG : Max. 30fps at all resolutions
	Smart Codec	Manual Mode (Area-based : 5ea)
	WiseStreamII	Support
	Video Quality Adjustment	H.264 / H.265 / MJPEG : Target bitrate level control
	Bitrate Control Method	H.264 / H.265 : CBR or VBR MJPEG : VBR
	Streaming Capability	Multiple Streaming (Up to 10 Profiles)
	Audio Compression Format	G.711 u-Law / G.726 Selectable G.726 (ADPCM) 8KHz, G.711 8KHz G.726 : 16Kbps, 24Kbps, 32Kbps, 40Kbps AAC-LC : 48Kbps at 16KHz
	Audio Communication	Bi-directional (2-Way)
	IP	IPv4, IPv6
	Protocol	TCP/IP, UDP/IP, RTP (UDP), RTP (TCP), RTCP, RTSP, NTP, HTTP, HTTPS, SSL/TLS, DHCP, PPPoE, FTP, SMTP, ICMP, IGMP, SNMPv1/v2c/v3 (MIB-2), ARP, DNS, DDNS, QoS, PIM-SM, UPnP, Bonjour
	Security	HTTPS (SSL) login authentication, Digest login authentication, IP address filtering, User access log, 802.1X authentication (EAP-TLS, EAP-LEAP)
	Streaming Method	Unicast / Multicast
	Max. User Access	20 users at Unicast mode
	Edge Storage	Micro SD / SDHC / SDXC 2slot (up to 512 GB) - Continuous recording (1'st slot to 2'nd slot) - Motion Images recorded in the Micro SD / SDHC / SDXC memory card can be downloaded. NAS (Network Attached Storage) Local PC for instant recording
	Application Programming Interface	ONVIF Profile S/G, SUNAPI 2.0(HTTP API), Wisenet Open Platform
	Webpage Language	English, Korean, Chinese, French, Italian, Spanish, German, Japanese, Russian, Swedish, Portuguese, Czech, Polish, Turkish, Dutch, Hungarian, Greek
	Web Viewer	Supported OS : Windows 7, 8.1, 10, Mac OS X 10.10, 10.11, 10.12 Plug-in Free Webviewer - Supported Browser : Google Chrome, MS Edge, Mozilla Firefox (Windows 64bit only), Apple Safari 10 (Mac OS X only) Plug-in Webviewer - Supported Browser : MS Explorer 11, Apple Safari 10 (Mac OS X only)
Central Management Software	SSM, SmartViewer	
ENVIRONMENTAL	Operating Temperature / Humidity	AC24 : -50°C ~ +55°C (-58°F ~ +131°F) / Less than 90% RH HPoE : -40°C ~ +55°C (-22°F ~ +131°F) / Less than 90% RH * Start up should be done at above -30°C (HPoE mode)
	Storage Temperature / Humidity	-50°C ~ +60°C (-58°F ~ +140°F) / Less than 90% RH
	Ingress Protection	IP66
	Vandal Resistance	IK10
ELECTRICAL	Input Voltage / Current	24VAC / HPoE
	Power Consumption	Max. 90W (24VAC), 60W (HPoE)
MECHANICAL	Colour / Material	Black (Head), Ivory (Body) / Aluminum, Plastic
	Dimension (W x H x D)	Ø 236.9 x 407.7mm (9.33" x 16.05")
	Weight	7.1kg (15.65 lb)

* The latest product information / specification can be found at hanwha-security.com

* Design and specifications are subject to change without notice.

* Wisenet is the proprietary brand of Hanwha Techwin.