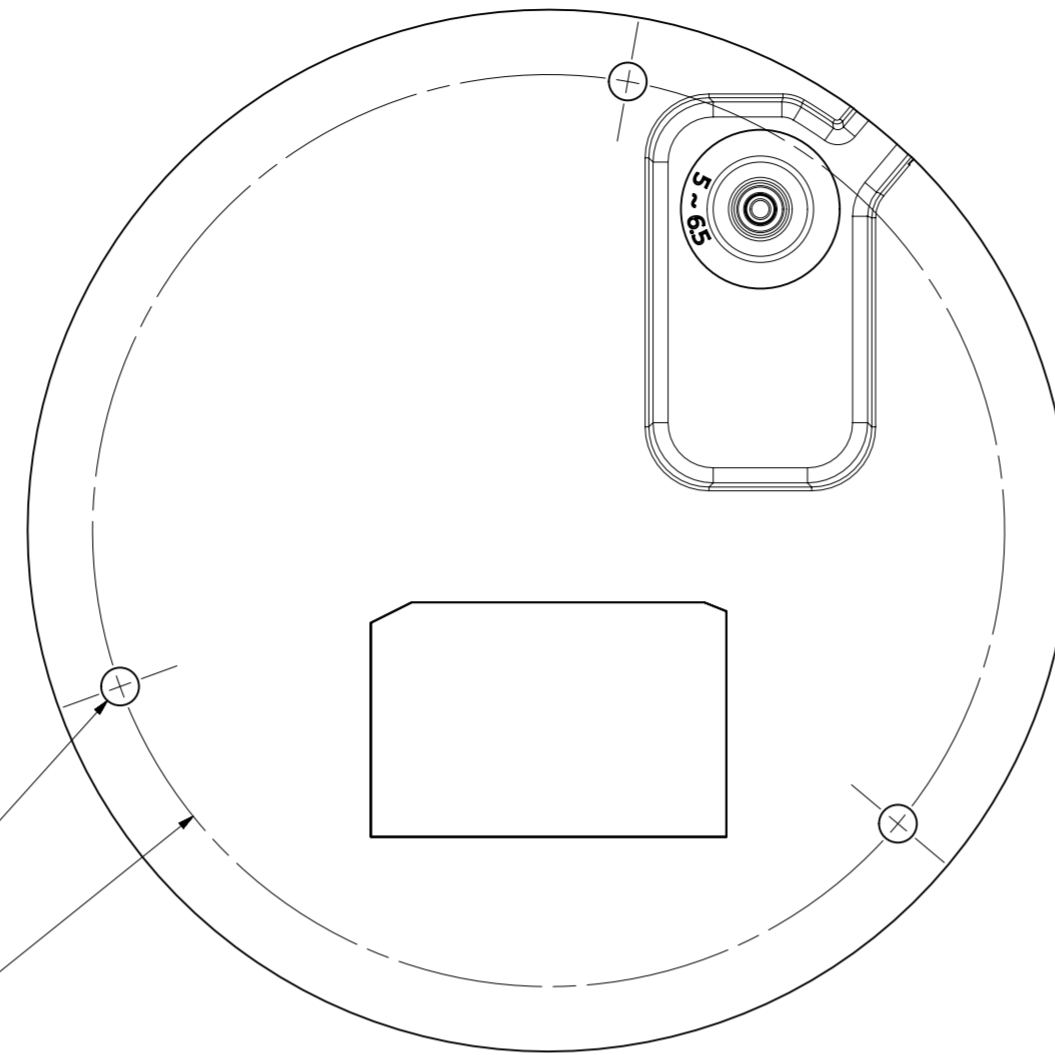


3- $\varnothing 5$ [.2] HOLE

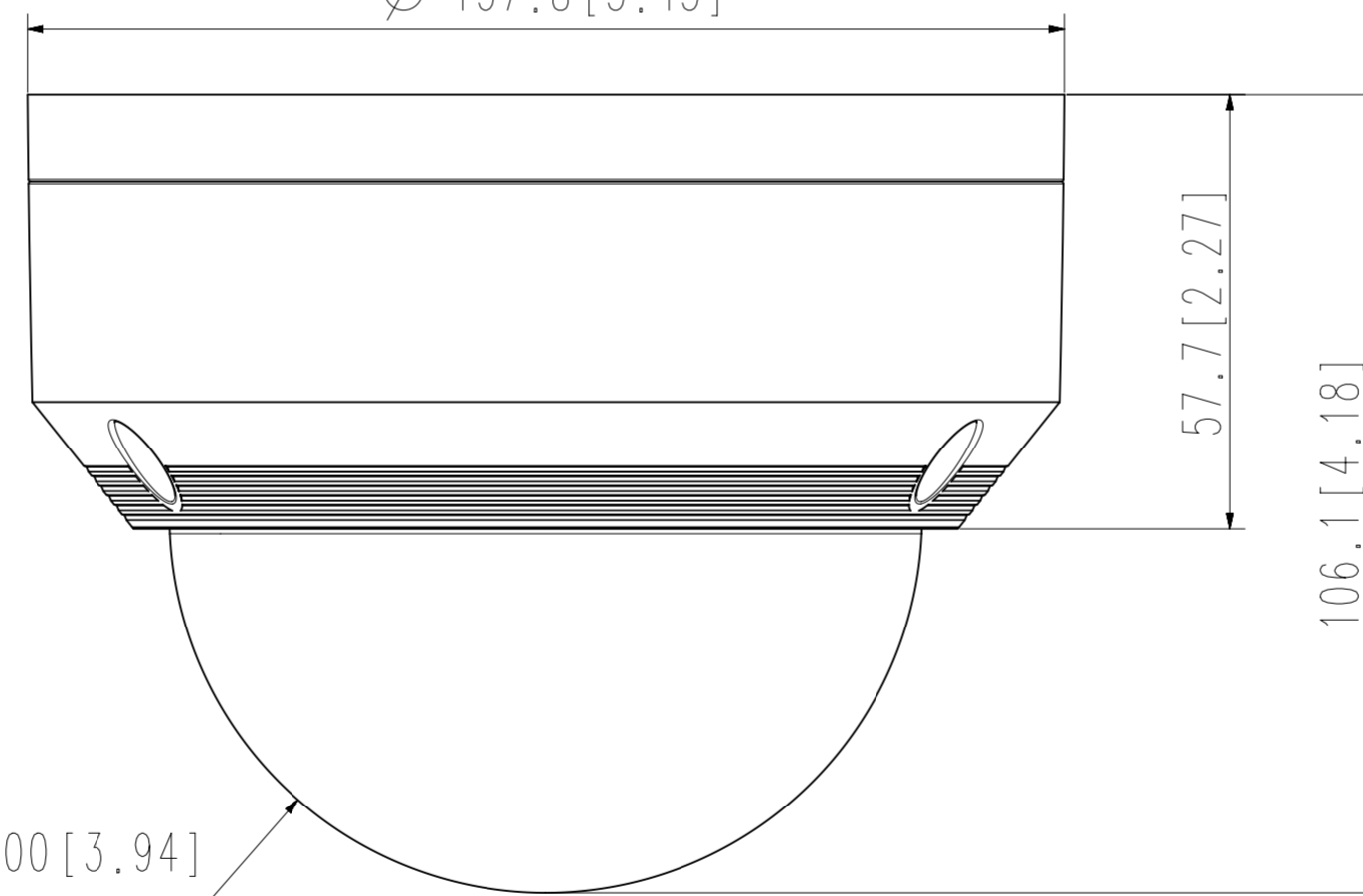
$\varnothing 120.6$ [4.75]



5 \varnothing

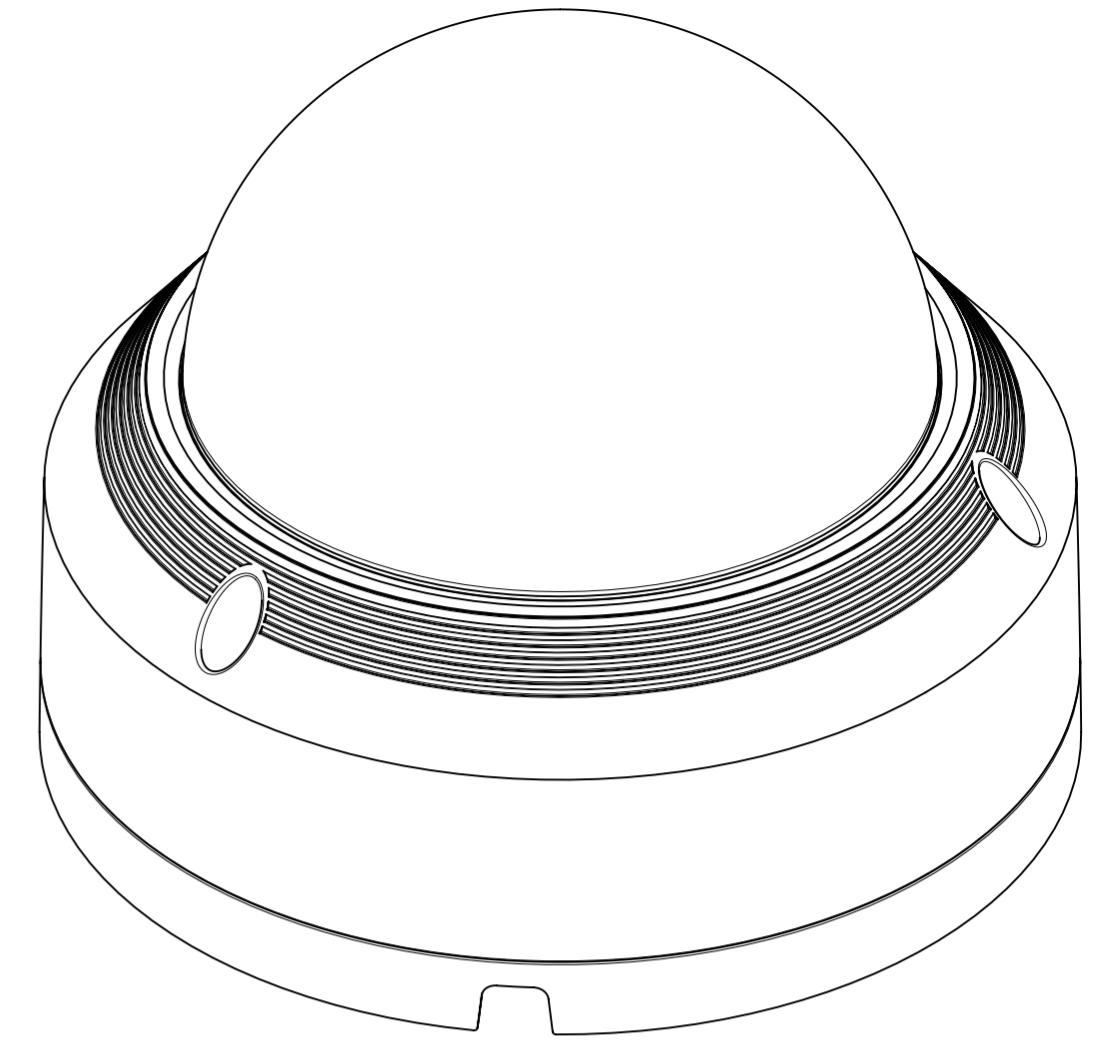
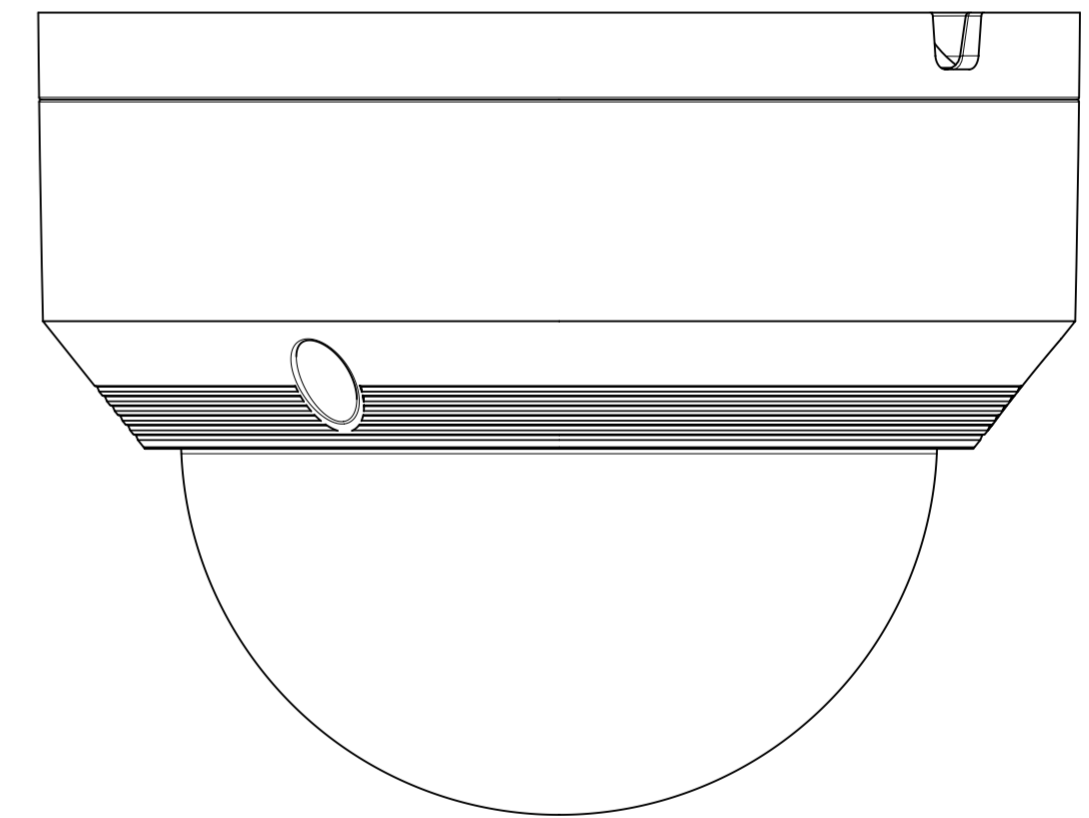
$\varnothing 137.8$ [5.43]

$\varnothing 100$ [3.94]



57.7 [2.27]

106.1 [4.18]



3	ANV-L6082R/L7082R	'22.07.15
2	LNV-6072R	'19.10.22
1	LNV-6070R/6071R	'19.10.22
No.	MODEL NAME	DATE
Unit:mm[inch]		SCALE:1/1
© Hanwha Techwin		