

QNV-6082R

2MP Network IR Dome Camera

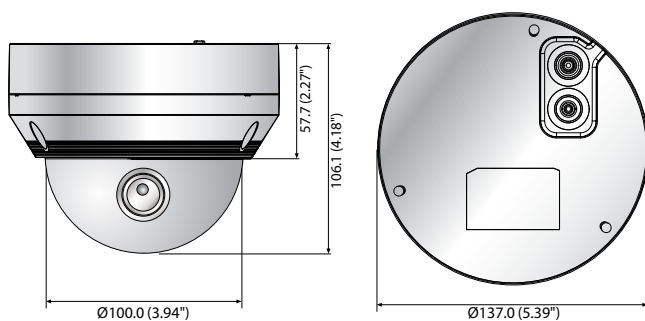


Key Features

- Max. 2megapixel (1920 x 1080) resolution
- 0.03Lux (Color), 0Lux (B/W, IR LED on)
- 3.2 ~ 10mm (3.1x) varifocal lens
- Max. 30fps@2M all resolutions (H.265/H.264)
- H.265, H.264, MJPEG codec supported, Multiple streaming
- Motion detection, Tampering, Defocus detection
- Hallway view (90°/270°), LDC support
- Micro SD/SDHC/SDXC memory slot (Max. 128GB)
- IR viewable length 30m
- IP66, IK10, PoE/12VDC

Dimensions

Unit: mm (inch)



Accessories (Optional)



QNV-6082R

| | |
|----------------------------|--|
| VIDEO | |
| Imaging Device | 1/2.8" 2MP CMOS |
| Effective Pixels | 1920(H) x 1080(V) |
| Min. Illumination | Colour: 0.03Lux(F1.6, 1/30sec) BW: 0Lux(IR LED on) |
| Video Out | CVBS : 1.0Vp-p / 75Ω composite, 720 x 480(N), 720 x 576(P) for installation |
| LENS | |
| Focal Length (Zoom Ratio) | 3.2~10mm (3.1x) motorised varifocal |
| Max. Aperture Ratio | F1.6 (Wide)~F2.9 (Tele) |
| Angular Field of View | H : 109.0°(Wide)~33.2°(Tele) V : 57.4°(Wide)~18.7°(Tele) D: 132.0°(Wide)~38.0°(Tele) |
| Focus Control | Simple focus |
| PAN / TILT / ROTATE | |
| Pan / Tilt / Rotate Range | 0°~350° / 0°~67° / 0°~355° |
| OPERATIONAL | |
| IR Viewable Length | 30m (98.42ft) |
| Camera Title | Displayed up to 85 characters |
| Day & Night | Auto (ICR) |
| Backlight Compensation | BLC, WDR, SSSDR |
| Wide Dynamic Range | 120dB |
| Digital Noise Reduction | SSNR |
| Motion Detection | 4ea, polygonal zones |
| Privacy Masking | 6ea, rectangular zones |
| Gain Control | Low / Middle / High |
| White Balance | ATW / AWC / Manual / Indoor / Outdoor |
| LDC | Support |
| Electronic Shutter Speed | Minimum / Maximum / Anti flicker (1/5~1/12,000sec) |
| Video Rotation | Flip, Mirror, Hallway view (90°/270°) |
| Analytics | Defocus detection, Directional detection, Motion detection, Enter/Exit, Tampering, Virtual line |
| Alarm I/O | Input 1ea / Output 1ea |
| Alarm Triggers | Analytics, Network disconnect, Alarm input |
| Alarm events | File upload via FTP and e-mail Notification via e-mail SD/SDHC/SDXC or NAS recording at event triggers Alarm output |
| Audio In | Selectable (mic in/line in) Supply voltage: 2.5VDC (4mA), Input impedance : 2K Ohm |
| NETWORK | |
| Ethernet | RJ-45 (10/100BASE-T) |
| Video Compression | H.265/H.264: Main/High, MJPEG |
| Resolution | 1920x1080, 1280x960, 1280x720, 800x600, 800x448, 720x576, 720x480, 640x480, 640x360 |
| Max. Framerate | H.265/H.264: Max. 30fps/25fps (60Hz/50Hz) MJPEG: Max. 15fps/12fps (60Hz/50Hz) |
| Smart Codec | WiseStream II |
| Video Quality Adjustment | H.264/H.265 : Target bitrate level control MJPEG : Quality Level control |
| Bitrate Control | H.264/H.265 : CBR or VBR MJPEG : VBR |
| Streaming | Unicast (6 users) / Multicast Multiple streaming (Up to 3 profiles) |

QNV-6082R

| | |
|--|---|
| Audio Compression | G.711 u-law /G.726 Selectable G.726 (ADPCM) 8KHz, G.711 8KHz G.726: 16Kbps, 24Kbps, 32Kbps, 40Kbps |
| Protocol | IPv4, IPv6, TCP/IP, UDP/IP, RTP(UDP), RTP(TCP), RTCP, RTSP, NTP, HTTP, HTTPS, SSL/TLS, DHCP, FTP, SMTP, ICMP, IGMP, SNMPv1/v2c/v3(MIB-2), ARP, DNS, DDNS, QoS, UPnP, Bonjour, LLDP |
| Security | HTTPS (SSL) login authentication, Digest login authentication, IP address filtering, User access log, 802.1X authentication (EAP-TLS, EAP-LEAP) |
| Edge Storage | Micro SD/SDHC/SDXC 1slot 128GB |
| Application Programming Interface | ONVIF Profile S/G/T SUNAPI (HTTP API) Wisenet open platform |
| Webpage Language | English, Korean, Chinese, French, Italian, Spanish, German, Japanese, Russian, Swedish, Portuguese, Czech, Polish, Turkish, Dutch, Hungarian, Greek |
| Web Viewer | Supported OS : Windows 7, 8.1, 10, Mac OS X 10.12, 10.13, 10.14 Recommended Browser : Google Chrome Supported Browser : MS Explorer11, MS Edge, Mozilla Firefox (Windows 64bit only), Apple Safari (Mac OS X only) |
| Memory | 512MB RAM, 256MB Flash |
| ENVIRONMENTAL | |
| Operating Temperature / Humidity | -30°C ~ +55°C (-22°F ~ +131°F) / Less than 90% RH * Start up should be done at above -20°C |
| Storage Temperature / Humidity | -30°C ~ +60°C (-22°F ~ +140°F) / Less than 90% RH |
| Certification | IP66, IK10 |
| ELECTRICAL | |
| Input Voltage | PoE (IEEE802.3af, Class3), 12VDC |
| Power Consumption | PoE : Max 7.7W, typical 6W 12VDC : Max 6.5W, typical 5.1W |
| MECHANICAL | |
| Color / Material | White / Aluminum |
| RAL Code | RAL9003 |
| Product dimensions / weight | Ø137.0 x 106.1mm (Ø5.39 x 4.18"), 710g (1.565 lb) |

* The latest product information / specification can be found at hanwha-security.com

* Design and specifications are subject to change without notice.

* Wisenet is the proprietary brand of **Hanwha Techwin**.