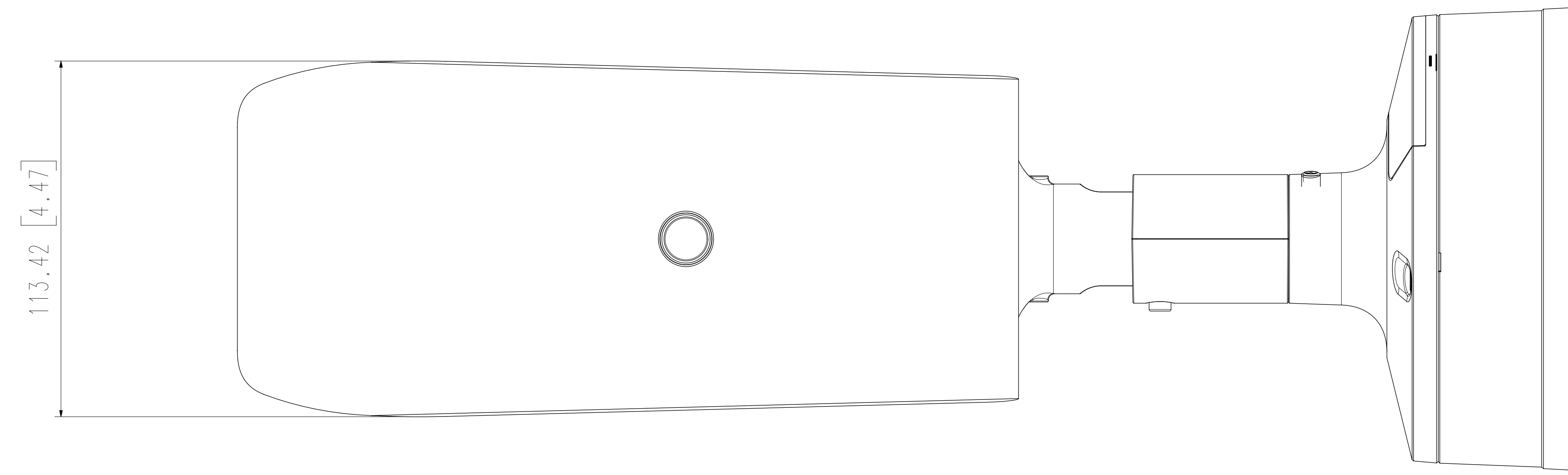
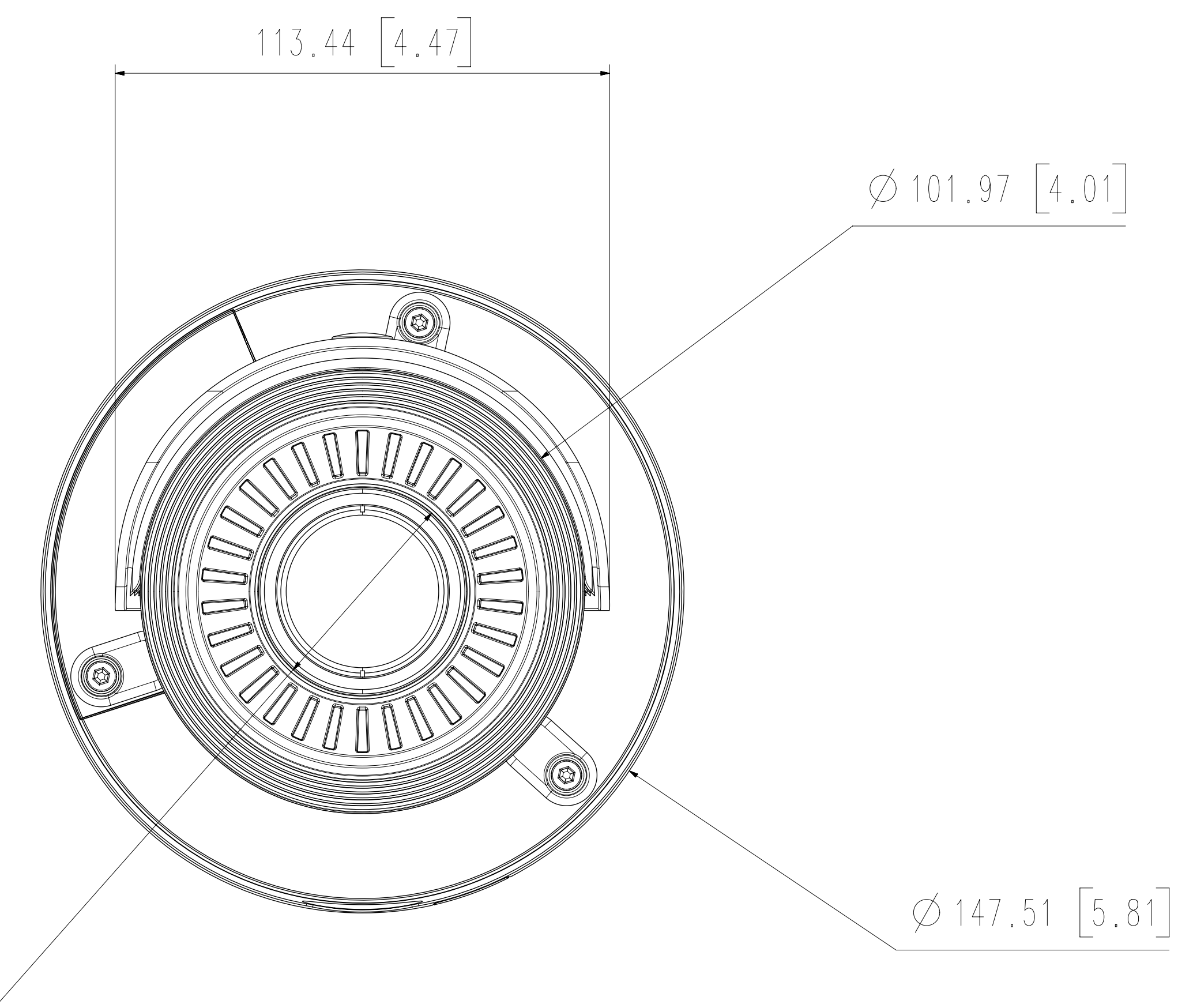


SCALE 2:5



113.42 [4.47]

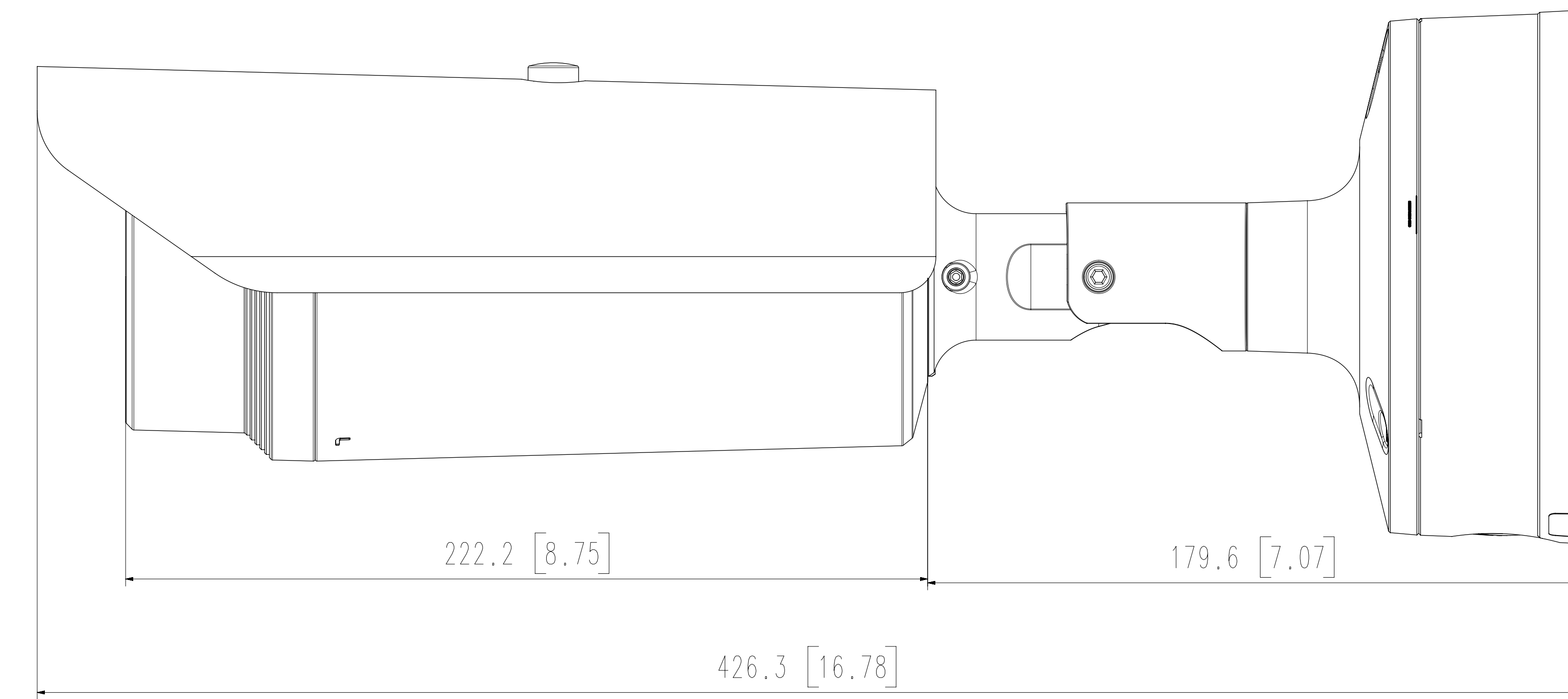


113.44 [4.47]

∅ 101.97 [4.01]

∅ 147.51 [5.81]

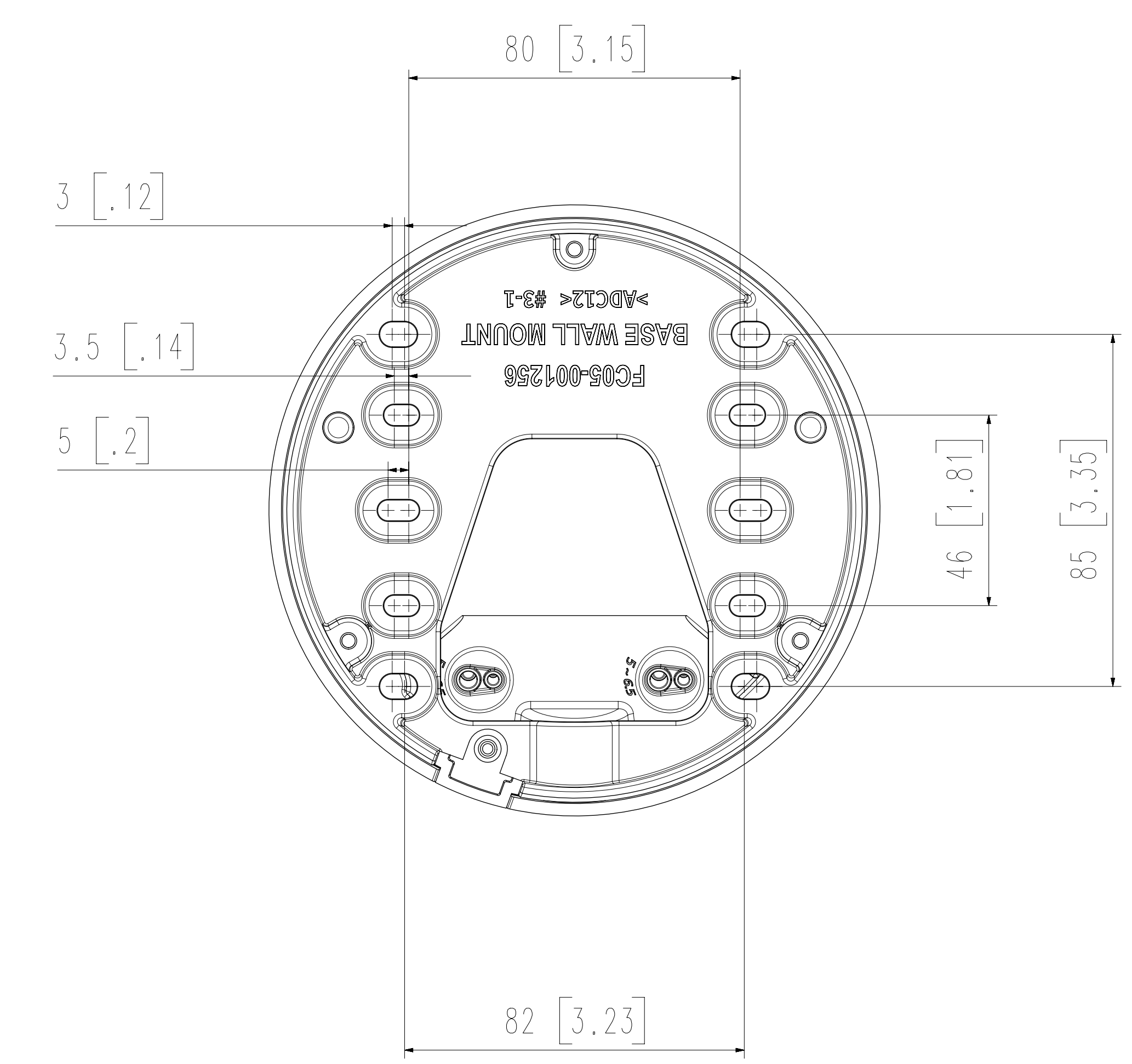
∅ 48.04 [1.89]



222.2 [8.75]

179.6 [7.07]

426.3 [16.78]



80 [3.15]

3 [.12]

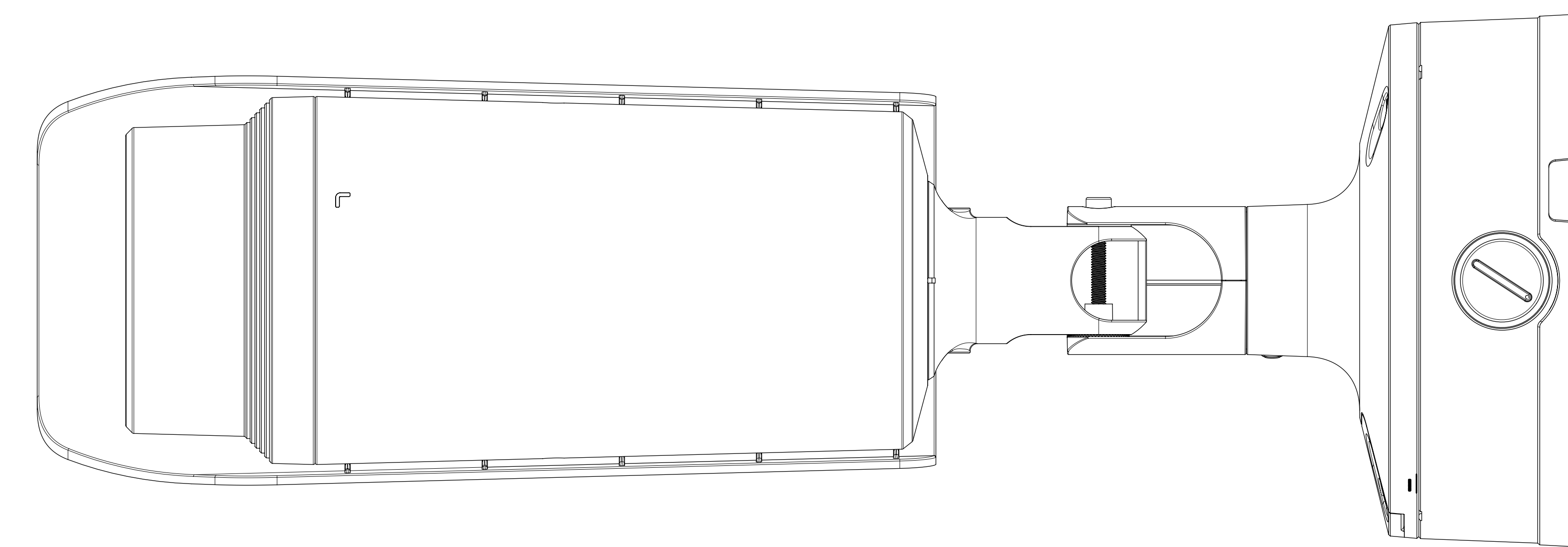
3.5 [.14]

5 [.2]

46 [1.81]

85 [3.35]

82 [3.23]



1	TNO-3050T	'21.03.25
No.	MODEL NAME	DATE
Unit:mm[inch]	SCALE:1/1	© Hanwha Techwin